

STIHL

STIHL SG 11, SG 11 PLUS

Instruction Manual



Contents

Guide to Using this Manual	2
Safety Precautions and Working Techniques	2
Filling the Container	6
Spraying	6
After Spraying	7
Inspection and Maintenance by User	7
Main Parts	8
Specifications	9
Disposal	9

STIHL

SG 11 , SG 11 PLUS

Dear Customer,

Thank you for choosing a quality engineered STIHL product.

It has been built using modern production techniques and comprehensive quality assurance. Every effort has been made to ensure your satisfaction and trouble-free use of the product.

Please contact your dealer or our sales company if you have any queries concerning this product.

Your



Dr. Nikolas Stihl

Guide to Using this Manual

Pictograms

All the pictograms attached to the machine are shown and explained in this manual.

Symbols in text



WARNING

Warning where there is a risk of an accident or personal injury or serious damage to property.



NOTICE

Caution where there is a risk of damaging the machine or its individual components.

Engineering improvements

STIHL's philosophy is to continually improve all of its products. For this reason we may modify the design, engineering and appearance of our products periodically.

Therefore, some changes, modifications and improvements may not be covered in this manual.

Safety Precautions and Working Techniques

This instruction manual covers a STIHL sprayer which is also referred to as the unit in the descriptions.



Special safety precautions must be observed when working with this sprayer.



It is important that you read the instruction manual before first use and keep it in a safe place for future reference. Non-observance of the instruction manual may result in serious or even fatal injury.

General

Observe all applicable local safety regulations, standards and ordinances.

If you have not used this model before: Have your dealer or other experienced user show you how it is operated or attend a special course in its operation.

Minors should never be allowed to use this product.

Keep bystanders, especially children, and animals away from the work area.

When the sprayer is not in use, put it in a place where it does not endanger others. Secure it against unauthorized use.

The user is responsible for avoiding injury to third parties or damage to their property.

Do not lend or rent your sprayer without the instruction manual. Be sure that anyone using it understands the information contained in this manual.

Do not operate your sprayer if any of its components are damaged. Make sure that all components are properly sealed – no leaks.

Pressurize the tank only with the pump that is installed in the sprayer.

Operate the sprayer only if it is complete and properly assembled.

To operate this sprayer you must be rested, in good physical condition and mental health.

Do not operate the sprayer if you are under the influence of any substance (drugs, alcohol) which might impair vision, dexterity or judgment.

Intended use

The sprayer is suitable for spraying chemicals and other liquids to control pests and weeds. Typical areas of application are in fruit and vegetable growing, horticulture, plantations, grassland and the forestry industry.

Only use plant protection products that are specifically approved for use in sprayers.

Do not use your sprayer for any other purpose because of the increased risk of accidents and damage to the sprayer. Never attempt to modify your sprayer in any way since this may result in accidents or damage to the sprayer.

SG 11 PLUS

The SG 11 PLUS is also suitable for spraying alkaline cleaning products with a pH value between 7-14.

Only use cleaning products that are specifically approved for use in sprayers.

The use of cleaning products outside the specified pH range is not permitted because it may result in accidents or damage to the sprayer.

Clothing and Equipment

Wear proper protective clothing and equipment when using, filling and cleaning the sprayer. Follow the chemical manufacturer's instructions with respect to protective equipment.

Clothing must be snug-fitting but allow complete freedom of movement.

Immediately change work clothes contaminated with plant protection/cleaning products.



For some chemicals/cleaning agents it is necessary to wear impermeable coveralls.

If you are spraying overhead, wear impermeable head covering.



Wear impermeable safety boots with a non-slip sole which are resistant to plant protection/cleaning products.

Do not wear sandals or go barefoot.



Wear impermeable gloves resistant to plant protection/cleaning products.



WARNING



To reduce the risk of eye injuries, wear close-fitting safety glasses in accordance with European Standard EN 166. Make sure the safety glasses are a comfortable and snug fit.

Wear a suitable respirator.

Inhaling plant protection/cleaning products may be harmful to health. Always wear a suitable respirator to protect yourself against health risks and allergic reactions. Observe warnings in the directions for use of the plant protection/cleaning product and all applicable local safety regulations, standards and ordinances.

Transport

Transporting in a vehicle:

- Properly secure the sprayer to prevent turnover and damage.
- The tank must be de-pressurized, empty and clean.

Cleaning

Clean plastic surfaces with a cloth. Do not use aggressive detergents. They may damage the plastic.

Do not use a pressure washer to clean the unit. The solid jet of water may damage parts of the unit.

Accessories

Only use parts and accessories that are explicitly approved for this tool by STIHL or are technically identical. If you have any questions in this respect, consult a servicing dealer. Use only high quality parts and accessories in order to avoid the risk of accidents and damage to the tool.

STIHL recommends the use of genuine STIHL replacement parts. They are specifically designed to match your model and meet your performance requirements.

Never attempt to modify your tool in any way since this may increase the risk of personal injury. STIHL excludes all liability for personal injury and damage to property caused while using unauthorized attachments.

Handling Plant Protection/Cleaning Products

Read the instructions supplied with the plant protection/cleaning product prior to use. Follow the instructions with respect to mixing, using, personal protection equipment, storage and disposal.

Observe legal requirements for handling the chemicals.

Plant protection products/cleaning agents may contain substances that are harmful to humans, animals, plants and the environment – **risk of poisoning and risk of serious or fatal injuries!**

Avoid contact with plant protection products/cleaning agents.

Plant protection products/cleaning agents may be used only by persons trained in their handling and the appropriate first-aid measures.

Keep instructions or label of the plant protection/cleaning product available at all times in order to inform the doctor about the chemical concerned in an emergency. In an emergency, follow the instructions on the product label or in the directions for use. **Observe manufacturer's safety data sheets.**

Mixing plant protection/cleaning product and filling sprayer

Always follow manufacturer's recommendations for use of plant protection/cleaning product.

- Before filling the tank with chemicals, carry out a test with fresh water and check all parts of the sprayer for leaks.
- Never apply undiluted liquid concentrates of plant protection/cleaning products.
- Prepare solution and fill the sprayer outdoors only or in well-ventilated locations.
- Only prepare sufficient solution for the job in hand so that no surplus is left in the tank.
- Do not mix different plant protection/cleaning products unless such a mixture is approved by the manufacturer.

- Mix different plant protection/cleaning products only in accordance with the manufacturer's instructions – incorrect mixtures may produce toxic fumes or explosive solutions.
- Stand the sprayer on a level surface – do not fill the tank above the maximum mark.
- When filling from a central water supply, do not immerse the end of the hose in the solution – sudden low pressure in the system may cause the solution to be sucked back into the water supply.
- Close the tank tightly after filling.

Application

- Work only in the open or in very well ventilated locations, e.g. open greenhouses.
- Do not eat, drink or smoke while working with plant protection/cleaning products.
- Never blow through nozzles or other components by mouth.
- Do not spray in windy conditions.

Too high or too low a spray pressure or unfavorable weather conditions can result in the wrong solution concentration. Too high a dose may harm the surface, plants or the environment. Too low a-dose may result in unsuccessful treatment.

In order to reduce the risk of damage to surfaces, plants and the environment, do not operate the sprayer:

- if pressure is too high or too low
- in windy conditions

- at temperatures above 30 °C in the shade
- in direct sunlight

In order to reduce the risk of accidents and damage to the sprayer, never operate the sprayer with:

- flammable liquids
- viscous or sticky liquids
- caustic or corrosive chemicals
- liquids hotter than 30 °C

Storage

- During work breaks, do not leave the sprayer in the hot sun or near any heat source.
- Never store plant protection products/cleaning agents in the tank for longer than one day.
- Store and transport plant protection products/cleaning agents only in approved containers.
- Never store plant protection products/cleaning agents in containers intended for foods, drinks or animal feed.
- Do not store plant protection products/cleaning agents together with foods, drinks or animal feed.
- Keep plant protection/cleaning products out of reach of children and animals.
- Store the sprayer empty and clean. It must not be under pressure.

- Store the plant protection/cleaning product and sprayer in a place secured against unauthorized use.
- Store the unit in a dry place protected from frost.

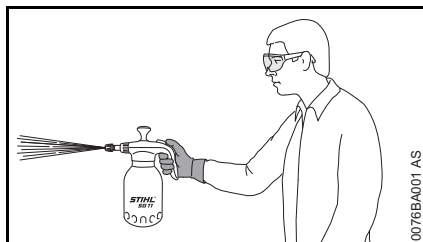
Disposal

Dispose of plant protection/cleaning products in accordance with applicable ordinances. Observe precautionary instructions of chemical manufacturer.

Never dispose of residual plant protection/cleaning products or contaminated rinsing solutions in waterways, drains, sewers, street gutters or manholes.

- Dispose of residual chemicals and used containers in accordance with local waste disposal regulations.

Holding and Controlling the Unit



Hold the unit with either the right or left handle on the handle.

During Operation

Never spray in the direction of bystanders – **risk of injury**.

Take special care in slippery conditions – damp, snow, ice, on slopes or uneven ground.

Watch out for obstacles: Be careful of refuse, tree stumps, roots and ditches which could **cause you to trip or stumble**.

To reduce the risk of accidents, take a break in good time to avoid tiredness or exhaustion.

Work calmly and carefully – in daylight conditions and only when visibility is good. Stay alert so as not to endanger others.

Never work on a ladder or any other insecure support.

When working in open ground and gardens take special care to avoid harming small animals.

To reduce the **risk of electrocution**, never work in the vicinity of live wires or power cables.

Always clean the sprayer before changing to a different plant protection product/cleaning agent.

After Finishing Work

Check all parts of the unit for leaks.

After finishing work, thoroughly clean the unit and wash your hands, face and, if necessary, your clothes.

Keep other persons and animals away from the areas that have been sprayed and do not walk on them until the plant protection chemical has dried.

Maintenance and Repairs

Do not attempt any maintenance or repair work not described in the instruction manual. Have all other work performed by a servicing dealer.

STIHL recommends that you have servicing and repair work carried out exclusively by an authorized STIHL servicing dealer. STIHL dealers are regularly given the opportunity to attend training courses and are supplied with the necessary technical information.

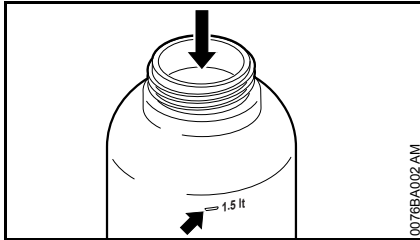
Only use high-quality replacement parts in order to avoid the risk of accidents and damage to the unit. If you have any questions in this respect, consult a servicing dealer.

STIHL recommends the use of genuine STIHL replacement parts. They are specifically designed to match your model and meet your performance requirements.

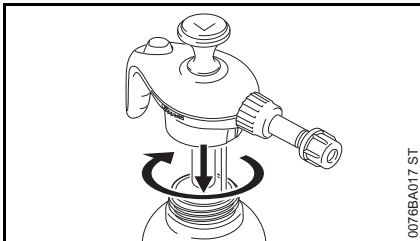
Always clean and empty the tank and release pressure in the sprayer before carrying out any maintenance or repair work.

When cleaning the tank, tube and hose system, make sure that other persons are not endangered by escaping liquid – **risk of injury**.

Filling the Container



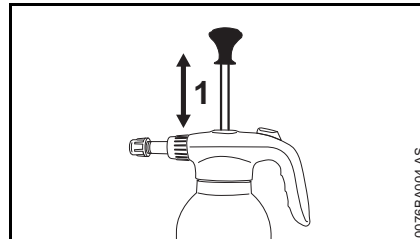
- Stand the tank on a level surface.
- Fill up with thoroughly mixed plant protection/cleaning product. Do not exceed maximum capacity of 1.5 liters (50.5 fl.oz) (see arrow).



- Fit the cover and tighten it down firmly.

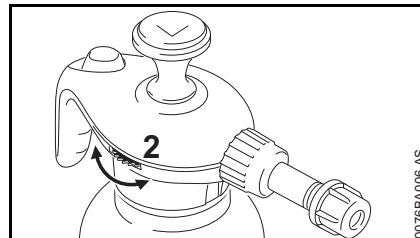
Spraying

Pressurizing the Tank



- Move the pump shaft (1) up and down uniformly about 20-30 times.

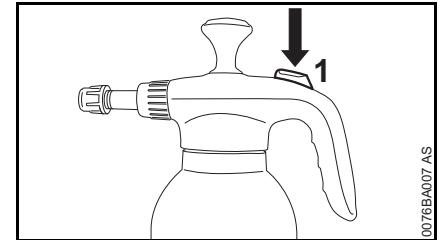
Checking Operation of Pressure Relief Valve



- Rotate the knurled wheel (2) as far as stop.

You should hear air escaping.

Spraying

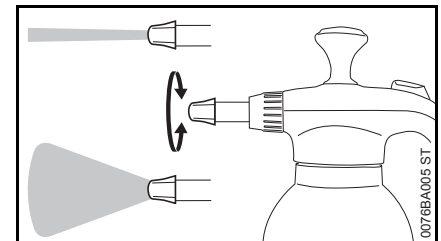


- Operate the button (1).

When pressure begins to drop:

- Move the pump shaft up and down uniformly – about 15 strokes are necessary to restore full pressure.

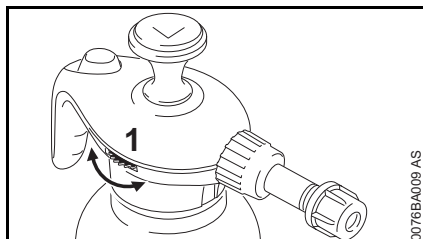
SG 11 PLUS – Adjusting Spray Pattern



Rotate the nozzle to adjust the spray pattern (solid jet or fine mist).

After Spraying

Releasing Pressure in Tank



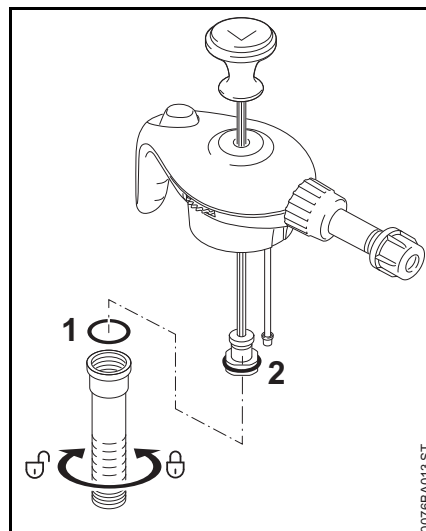
- Turn the knurled wheel (1) as far as stop and hold it there until the tank is no longer under pressure.

Emptying Tank and Cleaning the Sprayer

- Empty the tank in a well ventilated location.
- Rinse the tank with clean water.
- Fill the tank with clean water.
- Fit the cover on the tank and tighten it down firmly.
- Pressurize the tank and continue spraying until the tank is empty and no longer under pressure.

Inspection and Maintenance by User

Lubricating the O-rings

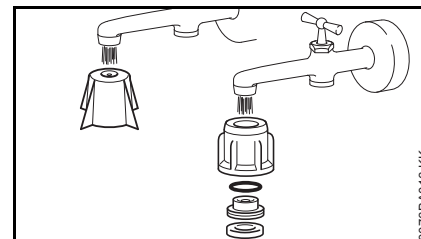


- Unscrew the pump barrel and pull it off the piston.

After frequent use, lubricate the following O-rings with grease:

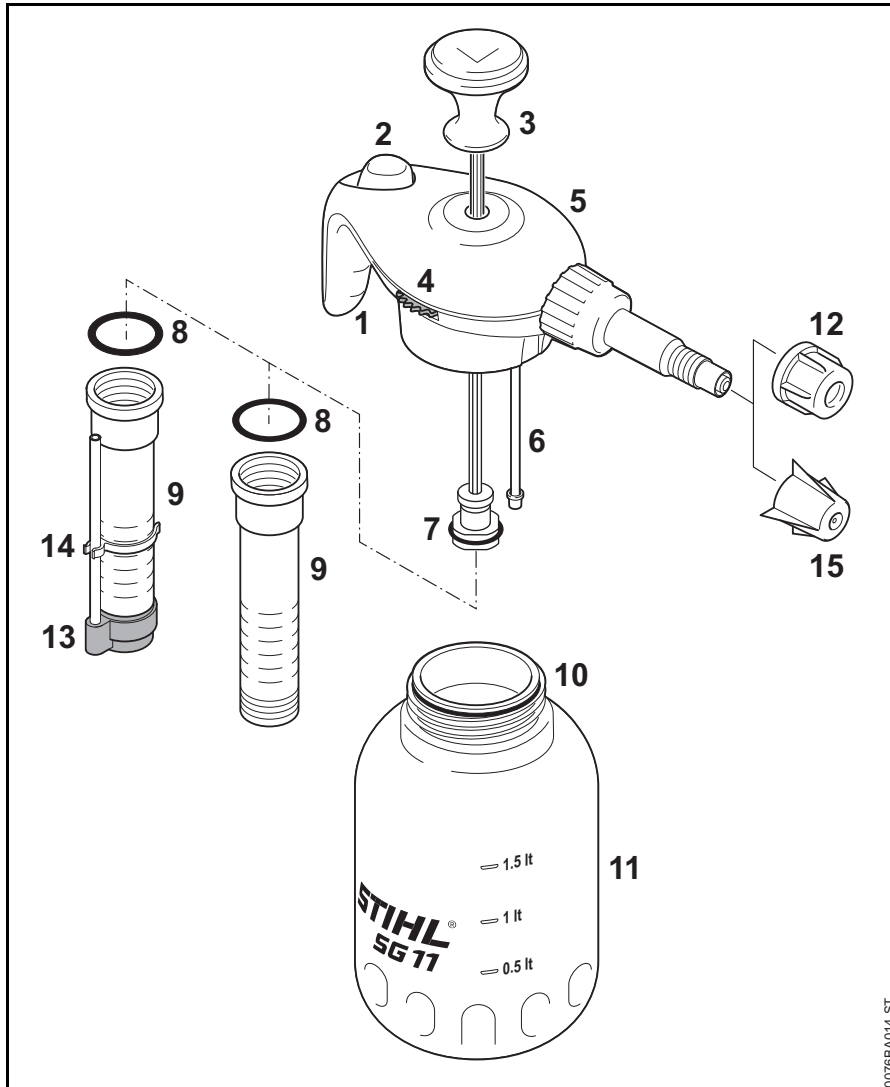
- O-ring (1) between pump barrel and cover.
- O-ring (2) on pump piston.
- Seat of O-ring (1) between pump barrel and cover.
- Slide the piston into the pump barrel. Screw the pump barrel into the cover and tighten it down firmly.

Cleaning the Nozzle



- Rinse the nozzle under running water.

Main Parts

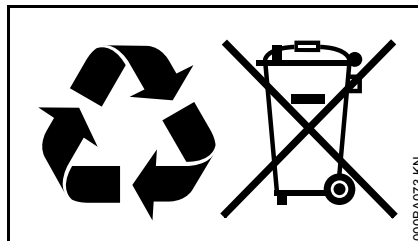


Specifications

Max. capacity:	1.5 l (50.7 fl.oz)
Tank volume:	1.9 l (64.2 fl.oz)
Max. pressure:	3 bar (43.5 PSI)
Max. temperature:	30°C (86°F)
Spray rate at 3 bar (43.5 PSI):	600 cc/min (36.6 cu.in/min)
Weight:	0.47 kg (1.0 lbs)

Disposal

Observe all country-specific waste disposal rules and regulations.



STIHL products must not be thrown in the garbage can. Take the product, accessories and packaging to an approved disposal site for environment-friendly recycling.

Contact your STIHL servicing dealer for the latest information on waste disposal.

0458-596-0121-B

englisch



www.stihl.com



0458-596-0121-B