

RP056 Flame Rigging Pulley -16mm (5/8") Rope

Data Sheet

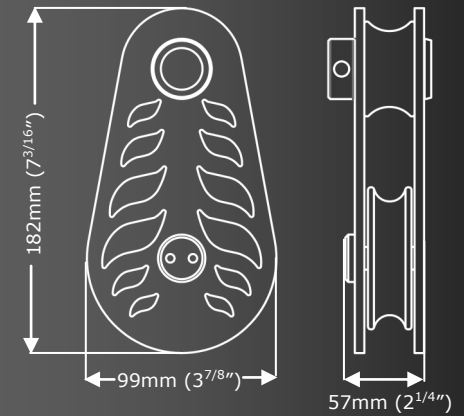


climb. work. rescue.

ISC

SOLUTIONS IN METAL

ISC Rigging Blocks have colour-coded Side plates and Pulley Wheels, helping the user to easily identify the correct Block for the task. We have introduced a new fixed bollard dimension, which allows the user to fall in-line with rigging standard practice, whereby the Anchor/Topping Strop should be twice the Strength of the Working Line.



Weight	1.4kg (3lbs)
Wheel Material	Aluminium (Anodised)
Body Material	Stainless Steel
MBS	100kN (22480lbf)
SWL	2000kg (4400lbs)

	Working Line	Topping Strop
Size	16mm (5/8")	25mm (1")
MBS	77kN (17000lb)	172kN (37800lb)