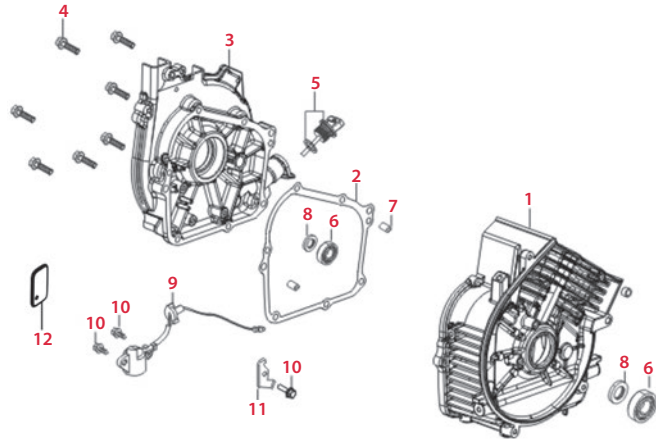


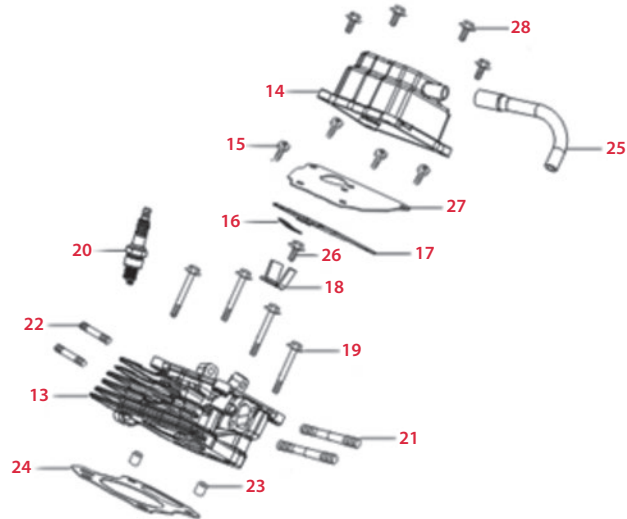
R2500iS Inverter Generator

*NS - Not Stocked by JAK Max however available from RATO. Special order only, 3 month lead time.

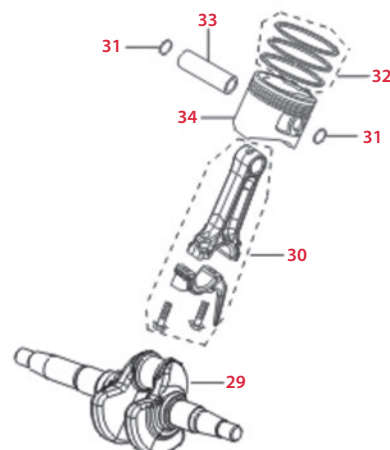
Item	JAK Max Part No.	RATO Part No.	Description
Crankcase - (right)			
1	NS	11310-Z2X0110-0000	Crankcase subassembly
2	JMRT1455	11001-Z2X0110-0000	Crankcase gasket
3	NS	11411-Z2X0110-0000	Crankcase cover
4	NS	90007-0620-A1	Bolt
5	NS	15010-Z800131-Q500	Oil dipstick subassembly
6	NS	90547-0204-CLTM	Deep groove ball bearing
7	NS	90502-0812-00	Pin
8	NS	90682-Z800110-00A0	Oil seal
9	NS	37060-Z800110-00A0	Engine oil sensor
10	NS	90007-0612-A1	Bolt
11	NS	54066-Z800110-00A0	Clamp
12	NS	24329-Z2X0110-0000	Lever



Item	JAK Max Part No.	RATO Part No.	Description
Cylinder Head, Cylinder Cover Assembly - (right)			
13	NS	12140-Z2X0110-0000	Cylinder head subassembly
14	NS	12410-Z2X0110-0B00	Cylinder head cover subassembly
15	NS	90103-0308-51	Screw
16	NS	11320-Z2X0110-0000	Breath piece
17	NS	12004-Z2X0110-0000	Cylinder head cover gasket
18	NS	12419-Z2X0110-0000	Cylinder head pin retainer
19	NS	12003-Z020110-00A0	Cylinder head bolt
20	NS	30010-Z350210-00A0	Spark plug
21	NS	90204-Z800110-00A0	Bolt
22	NS	90204-Z800210-00A0	Bolt
23	NS	90502-1014-00	Pin
24	JMRT1456	12131-Z2X0110-0000	Cylinder head gasket
25	NS	17004-Z2X0110-0000	Breather tube
26	NS	90001-0510-01	Bolt
27	NS	11332-Z2X0110-0000	Breath groove gasket
28	NS	90007-0616-A1	Bolt



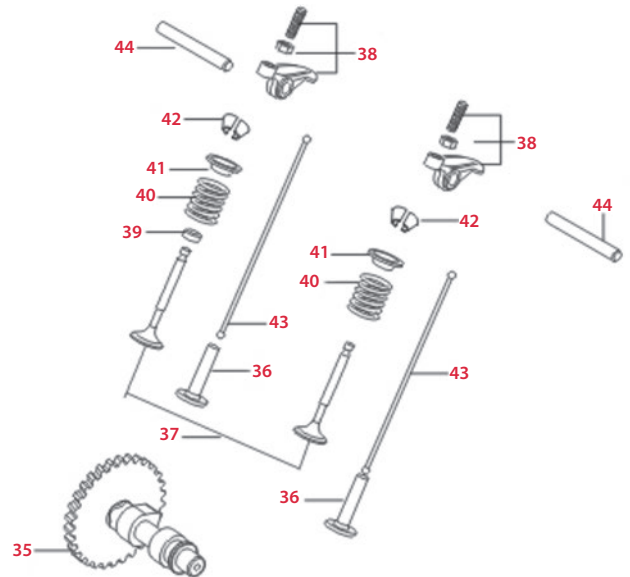
Item	JAK Max Part No.	RATO Part No.	Description
Crankshaft Assembly - (right)			
29	NS	13300-Z2X0110-0000	Crankshaft assembly
30	NS	13010-Z2X0110-0000	Connecting rod
31	NS	13122-Z350110-00A0	Piston pin clip
32	NS	13200-Z2X0110-0000	Piston ring assembly
33	NS	13121-Z250110-0000	Piston pin
34	NS	13111-Z2X0110-0000	Piston



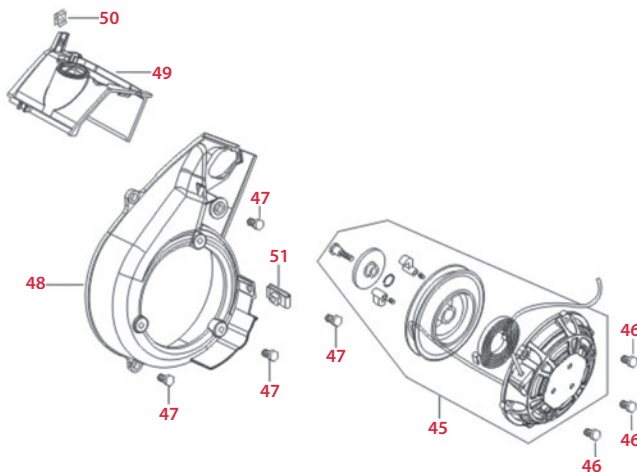
*NS - Not Stocked by JAK Max however available from RATO. Special order only, 3 month lead time.

R2500iS Inverter Generator

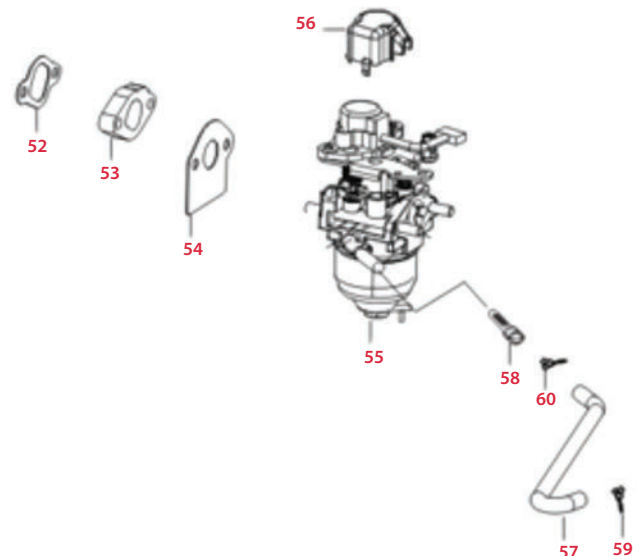
Item	JAK Max Part No.	RATO Part No.	Description
Camshaft Assembly - (right)			
35	NS	14200-Z2X0110-0000	Camshaft assembly
36	NS	14081-Z2X0110-0000	Valve tappet
37	NS	12110-Z1F0110-0000	Valve set
38	NS	14310-Z2X0110-0000	Valve rocker subassembly
39	NS	12101-Z1F0110-0000	Seal guide
40	NS	12103-Z1F0110-0000	Valve spring
41	JMRT1020	12112-Z810210-0000	Valve spring seat
42	NS	12109-Z810110-0000	Valve lock clamp
43	NS	14071-Z2X0110-0000	Valve lifter
44	NS	14318-Z1F0110-0000	Rocker shaft subassembly



Item	JAK Max Part No.	RATO Part No.	Description
Starter - (below)			
45	JMRT1457	28200-Z800210-Q200	Recoil starter assembly
46	NS	90007-0612-A1	Bolt
47	NS	90007-0616-A1	Bolt
48	NS	28110-Z2X0110-0000	Shroud
49	NS	12014-Z2X0110-0000	
50	NS	90804-Z800210-0000	Limit card
51	NS	17199-Y2V0110-0000	Nut



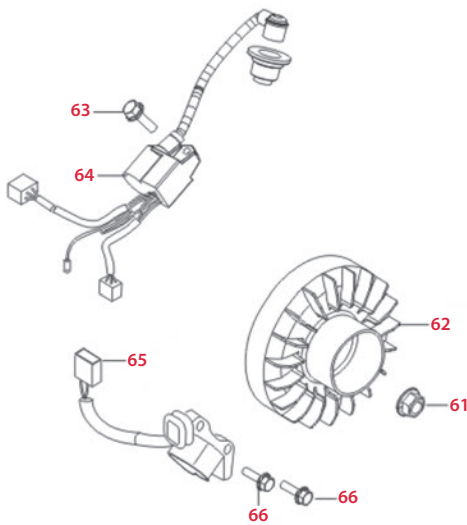
Item	JAK Max Part No.	RATO Part No.	Description
Carburettor Assembly - (below)			
52	JMRT1459	16001-Z800110-00A0	Carburettor gasket
53	NS	16003-Z2X0110-0000	Carburettor insulator plate
54	JMRT1460	16002-Z2X0110-0000	Carburettor insulator gasket
55	JMRT1458	16100-Z2X0110-0000	Carburettor assembly
56	NS	14411-Y2V0110-0000	Cap
57	NS	90686HY2V0110-00M0	Fuel tube
58	NS	16652-Z800110-00A0	Fuel strainer
59	NS	90685-Z030610-0400	Clamp
60	JMRT1260	90685-Z020110-0000	Clamp



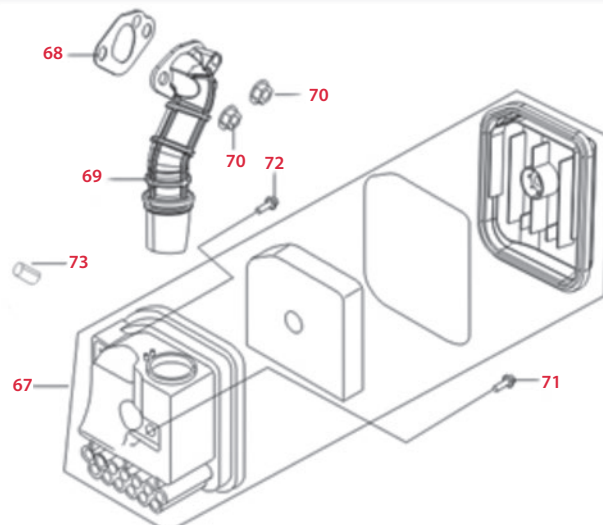
R2500iS Inverter Generator

*NS - Not Stocked by JAK Max however available from RATO. Special order only, 3 month lead time.

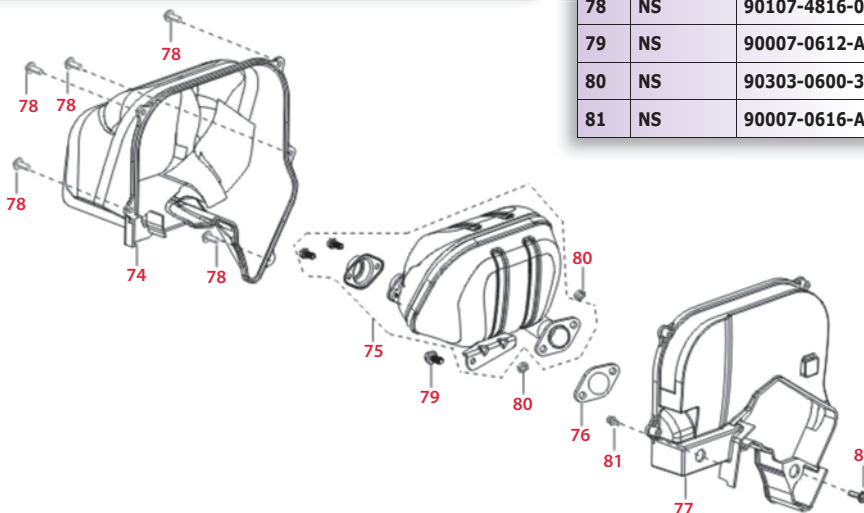
Item	JAK Max Part No.	RATO Part No.	Description
Flywheel Subassembly - (below)			
61	NS	13501-Z510110-0000	Flywheel nut
62	NS	13510-Z2X0110-0000	Flywheel subassembly
63	NS	90007-0620-A1	Bolt
64	NS	30700-Z2X0110-0000	Ignitor
65	JMRT1461	30400-Z2X0110-0000	Ignition coil
66	JMRT1262	90007-0620-A1	Bolt



Item	JAK Max Part No.	RATO Part No.	Description
Air Cleaner - (below)			
67	JMRT1462	17100-Z2X0110-0000	Air cleaner
68	JMRT1463	17001-Z800110-00A0	Air cleaner gasket
69	NS	17110-Z800110-00A0	Air cleaner intake duct
70	NS	90305-0600-31	Nut
71	NS	90007-0520-A1	Bolt
72	NS	90001-0625-01	Bolt
73	NS	90722-Z010610-0000	End plug



Item	JAK Max Part No.	RATO Part No.	Description
Muffler Assembly - (below)			
74	NS	18109-Z2X0110-0000	Muffler shroud
75	JMRT1464	18100-YEN0110-0000	Muffler assembly

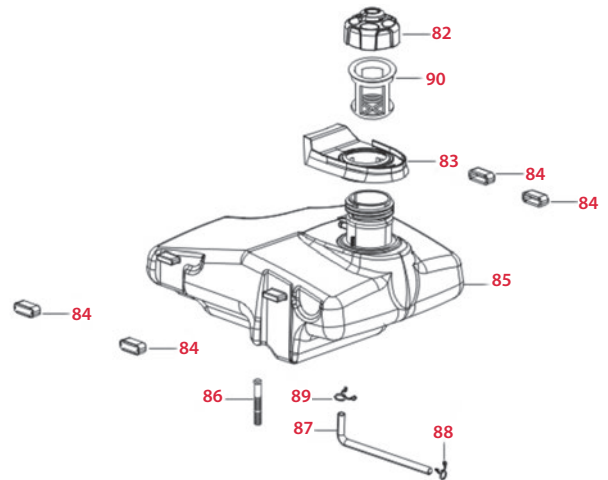


Item	JAK Max Part No.	RATO Part No.	Description
Muffler Assembly - continued (below)			
76	JMRT1465	18001-Z2X0110-0000	Exhaust outlet gasket
77	NS	18013HZ2X0110-0000	Muffler outer cover
78	NS	90107-4816-01A0	Screw
79	NS	90007-0612-A1	Bolt
80	NS	90303-0600-31	
81	NS	90007-0616-A1	Bolt

*NS - Not Stocked by JAK Max however available from RATCO. Special order only, 3 month lead time.

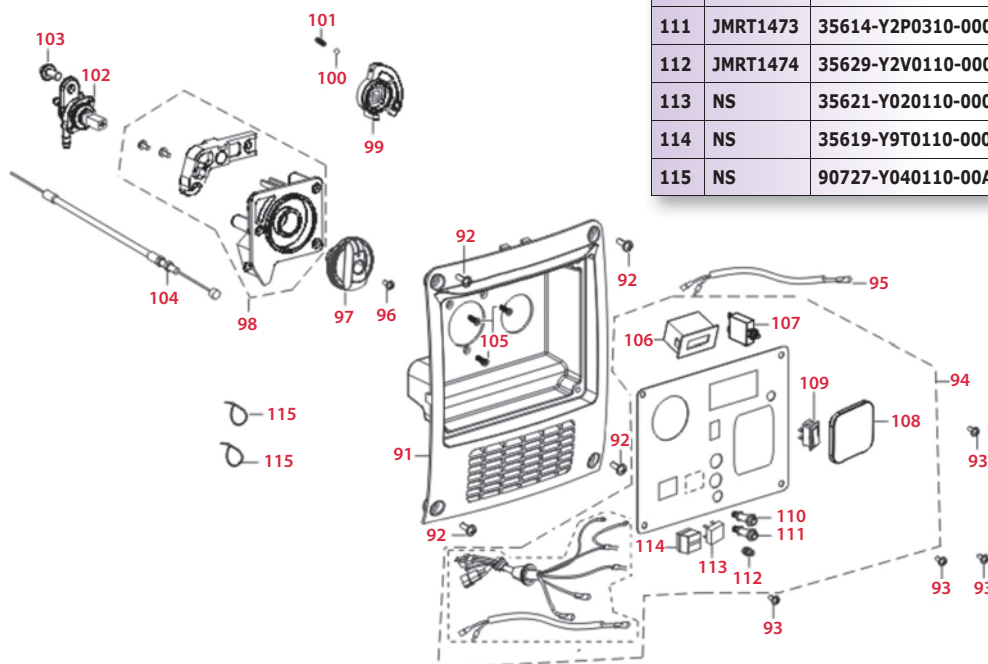
R2500iS Inverter Generator

Item	JAK Max Part No.	RATO Part No.	Description
Fuel Tank - (right)			
82	JMRT1467	16730-Y2V0610-Q2A0	Fuel tank cover
83	NS	16641-Y2V0110-0000	Filling oil hole rubber sleeve
84	NS	90683-Y2V0110-0000	Bush
85	JMRT1466	16620-YEN0210-Q2A0	Fuel tank
86	NS	16514-Y2V0110-00A0	Strainer element
87	NS	90686-Y2V0410-00M0	Fuel tube
88	NS	90685-Z030610-0400	Clamp
89	NS	90685-Z030410-0000	Clamp
90	JMRT1468	16652-Y2V0110-00A0	Fuel strainer



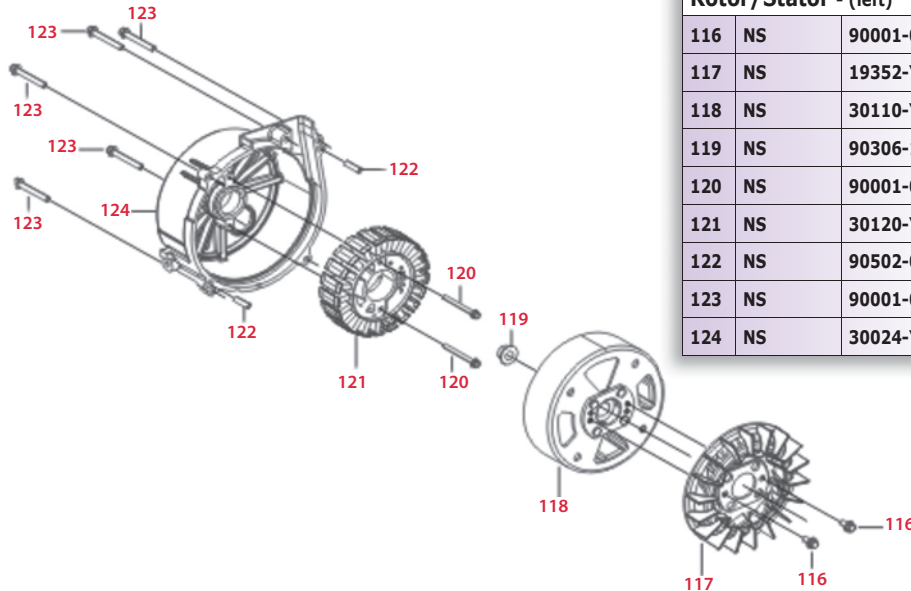
Item	JAK Max Part No.	RATO Part No.	Description
Control Panel Subassembly - (below)			
91	NS	35680HYEN0110-Q200	Panel seat
92	NS	90208-YB00410-0000	Bolt
93	NS	90255-0512-53	Cross recess pan head screw & washer assembly
94	NS	35610-YFP1210-H300	Control panel subassembly
95	NS	35660-YEN0310-0000	Control panel wiring harness
96	NS	90103-0416-51A0	Screw
97	NS	35643-Y2V0210-Q2A0	Knob
98	JMRT1472	35160-YDA0110-0000	Switch subassembly
99	JMRT1471	94111-Y2V0410-00A0	Switch subassembly

Item	JAK Max Part No.	RATO Part No.	Description
Control Panel Subassembly - continued (below)			
100	NS	90543-0500-00A0	Steel ball
101	NS	16527-Y2V0210-0000	Stopper adjusting spring
102	NS	16750-Y2V0141-0000	Fuel cock assembly
103	NS	90007-0614-A1	Bolt
104	NS	16080-Y2V0110-0000	Choke handle subassembly
105	NS	90129-0416-01	Screw
106	NS	35632-YBW0111-0000	
107	JMRT1470	35646-Y2V0210-0000	Resetting button
108	JMRT1475	35614-Y020510-0000	Power supply socket subassembly
109	JMRT1469	35160-Y0G0110-0000	Switch subassembly
110	JMRT1476	35614-Y2P0210-0000	Power supply socket subassembly
111	JMRT1473	35614-Y2P0310-0000	Power supply socket subassembly
112	JMRT1474	35629-Y2V0110-0000	Grounding terminal subassembly
113	NS	35621-Y020110-0000	Rectification bridge
114	NS	35619-Y9T0110-0000	D.C socket subassembly
115	NS	90727-Y040110-00A0	Band



R2500iS Inverter Generator

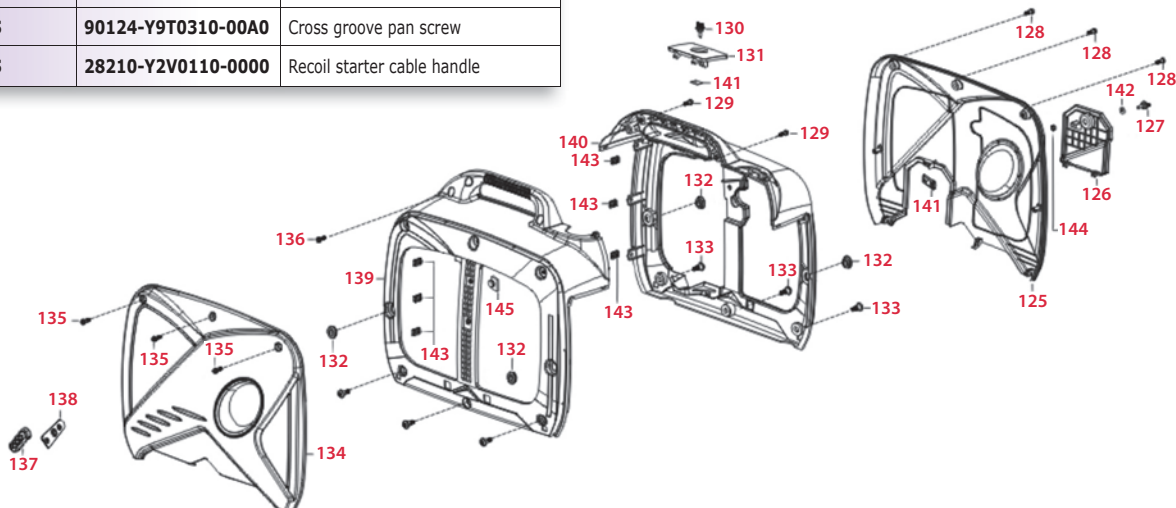
*NS - Not Stocked by JAK Max however available from RATO. Special order only, 3 month lead time.



Item	JAK Max Part No.	RATO Part No.	Description
Rotor/Stator - (left)			
116	NS	90001-0610-01	Bolt
117	NS	19352-Y2V0110-Q2A0	Impeller
118	NS	30110-YEN0110-0000	Magneto rotor case subassembly
119	NS	90306-1200-31	Nut
120	NS	90001-0645-01	Bolt
121	NS	30120-YFP0110-0000	Magneto stator subassembly
122	NS	90502-0814-00	Pin
123	NS	90001-0630-01	Bolt
124	NS	30024-YEN0110-0000	Motor shroud

Item	JAK Max Part No.	RATO Part No.	Description
Shell - (below)			
125	NS	80096HYFP0110-S100	Right cover board
126	NS	51197HYFP0110-S100	
127	NS	90208-Y9T0120-0000	Bolt
128	NS	90208-YB00210-0000	Bolt
129	NS	90255-0512-53	Cross recess pan head screw & washer assembly
130	NS	80105-YB00110-Q200	Spark plug repair door knob
131	NS	80102HYEN0110-Q200	Spark plug repair door
132	NS	16601-Y2V0210-0000	Fuel tank rubber sleeve
133	NS	90208-YB00110-0000	Bolt
134	NS	80092HYFP0110-S100	Left cover board
135	NS	90208-YB00210-0000	Bolt
136	NS	90124-Y9T0310-00A0	Cross groove pan screw
137	NS	28210-Y2V0110-0000	Recoil starter cable handle

Item	JAK Max Part No.	RATO Part No.	Description
Shell - continued (below)			
138	NS	28004-Y2V0210-00A0	Starting rope guide subassembly
139	NS	80091HYEN0110-Q200	Left shell
140	NS	80095HYEN0110-Q200	Right shell
141	NS	24329-YCF0110-Q200	Lever
142	NS	37073-Y2V0110-0000	Spring clip
143	NS	17199-YB00110-0000	Nut
144	NS	90341-YA50110-0000	Nut
145	NS	50033-YEN0110-0000	Engine upper suspension rubber cushion

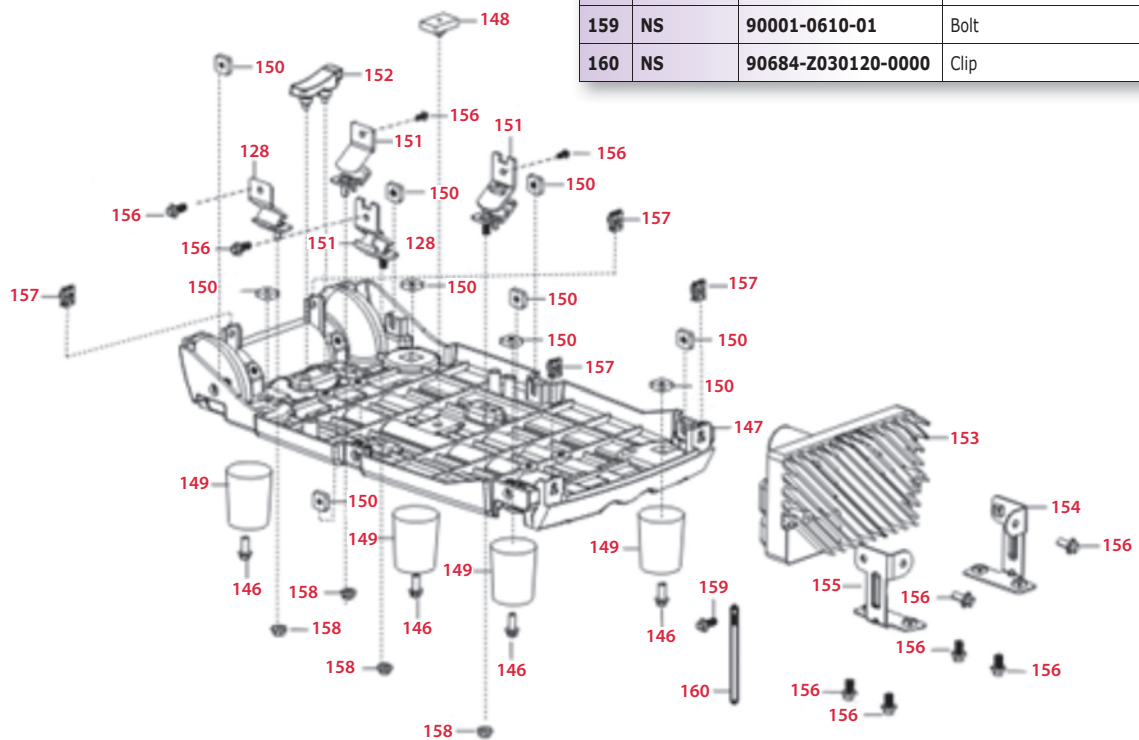


*NS - Not Stocked by JAK Max however available from RATC. Special order only, 3 month lead time.

R2500iS Inverter Generator

Item	JAK Max Part No.	RATO Part No.	Description
Inverter Plate, Bottom/Assembling Frame - (below)			
146	NS	90001-0614-01	Bolt
147	NS	51143HYEN0110-Q200	Bottom plate
148	NS	50033-YEN0110-0000	Engine upper suspension rubber cushion
149	NS	51014-Y5V0210-0000	Engine frame shock absorption seat
150	NS	90326-Y2V0110-0000	Nut

Item	JAK Max Part No.	RATO Part No.	Description
Inverter Plate, Bottom/Assembling Frame - continued (below)			
151	NS	51005HYEN0110-0000	Engine frame cushion
152	NS	50035-Y2V0110-0000	Cushion rubber bracket
153	NS	30043-YFP0310-0000	Invertor
154	NS	30081-YDZ0210-0100	Inverter assembling frame
155	NS	30081-YDZ0110-0100	Inverter assembling frame
156	NS	90001-0612-01	Bolt
157	NS	17199-YB00110-0000	Nut
158	NS	90305-0600-31	Nut
159	NS	90001-0610-01	Bolt
160	NS	90684-Z030120-0000	Clip



Item	JAK Max Part No.	RATO Part No.	Description
Muffler Side Cover - (right)			
161	NS	18002HYEN0110-Q200	Muffler side cover
162	NS	90208-YB00410-0000	Bolt
163	NS	82007-YEN0110-Q200	
164	NS	90208-YB00410-0000	Bolt
165	NS	53202-Y2V0110-0000	Joint rubber cushion
166	NS	37073-Y2V0110-0000	Spring clip

