

# MINI DUMPERS

## FLEXTOOL® TUFFTRUK™ PETROL B450G

Flextool's range of TuffTruk mini dumpers provide maximum versatility and light-touch operation. Available in both battery power and petrol engine, the TuffTruk achieves ultimate manoeuvrability with its compact size and articulated steering function.

Operator safety is optimised with the 2-stage self-tipping skip and automatic motor brake system, while the wide profile mud gripper tyres, excellent load capacity and robust, heavy duty construction prove the Flextool TuffTruk is designed for all types of materials and tough terrains across a variety of trades.



## FLEXTOOL® TUFFTRUK™ – MINI DUMPERS

Model	B450E	B450G
Max Payload (kg / m³)	450 / 0.3	450 / 0.3
Operating Width (mm)	850	850
Unladen Operating Weight (kg)	255	180
Working Gradient (deg)	25	25
Drive & Controls	24 V Motor Gearbox	Hydrostatic
Brake System	Hydrostatic	Hydrostatic
Tyres (Standard)	Mud Gripper Pneumatic	Mud Gripper Pneumatic
Travel Speed Fwd / Rev (Km/h)	5.6 / 2.4	6.4 / 2.4
Noise level (dB)	< 76	< 96
Hand Arm Vibration (m/s²)	2.5	4.6
Engine / Motor	DC Brushless	Honda GX200
Engine Motor Power	1000 W / 24 V	6.5 Hp
Fuel Type	2 x 12 V AGM Batteries	Petrol
Shipping Dimensions (L x W x H) (mm)	1380 x 920 x 1130	1380 x 920 x 1130
Shipping Weight (kg)	295	220
Product Code	FT202502-UNIT	FT202501-UNIT

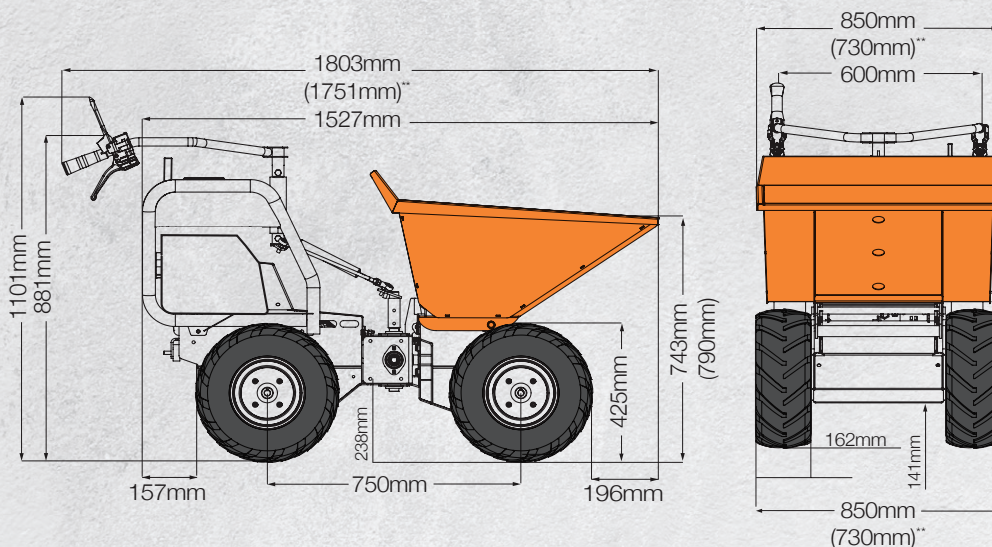


B450E



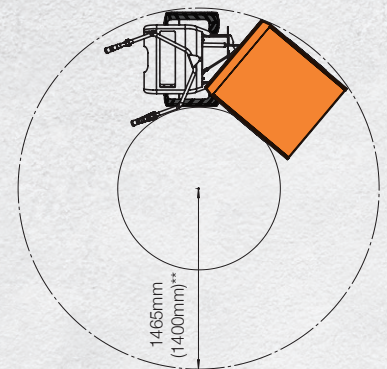
B450G

### DIMENSIONS



\*\* Denote dimensions when narrow bucket is fitted

### TURNING CIRCLE



## FLEXTOOL® TUFFTRUK™ – ACCESSORIES

Description	Suits B450E	Suits B450G	Product Code
1 TUFFTRUK TOW BALL HITCH	✓	✓	FT202504-UNIT
2 TUFFTRUK FLAT BED B450 – 850 MM	✓	✓	FT202505-UNIT
3 TUFFTRUK BUCKET NARROW STEEL – 730 MM	✓	✓	FT202506-UNIT
4 TUFFTRUK SKIP CONTROL HANDLE	✓	✓	FT202507-UNIT
5 TUFFTRUK POWERTIP BUCKET ATTACHMENT	✓	✗	FT202508-UNIT
6 TUFFTRUK TURF TYRE WHEEL – SET OF 4	✓	✓	FT202509-UNIT



### THE FLEXTOOL PROMISE

If the unexpected happens and something goes wrong with your Flextool equipment within the first 12 months of purchase, we'll arrange to give you a loan machine for 2 days, free of charge, while we work to repair or replace your Flextool product.\*

[flextool.com.au/flextool-promise](http://flextool.com.au/flextool-promise)

\*Qualification criteria apply. Terms and conditions for the Flextool promise can be found at [flextool.com.au/flextool-promise/terms-and-conditions/](http://flextool.com.au/flextool-promise/terms-and-conditions/).

This Technical Data Sheet (TDS) summarises our best knowledge of the product, based on the information available at the time. You should read this TDS carefully and consider the information in the context of how the product will be used. Our responsibility for products sold is subject to our standard terms and conditions of sale. Parchem does not accept any liability either directly or indirectly for any losses suffered in connection with the use of the product whether or not in accordance with any advice, specification, recommendation or information given by it.

© This publication is copyright. All rights are reserved. Flextool is a registered trade mark and TuffTruk is a trade mark of Parchem Construction Supplies Pty Ltd.

FOR MORE INFORMATION CONTACT US ON 1300 353 986 OR VISIT [flextool.com.au](http://flextool.com.au)