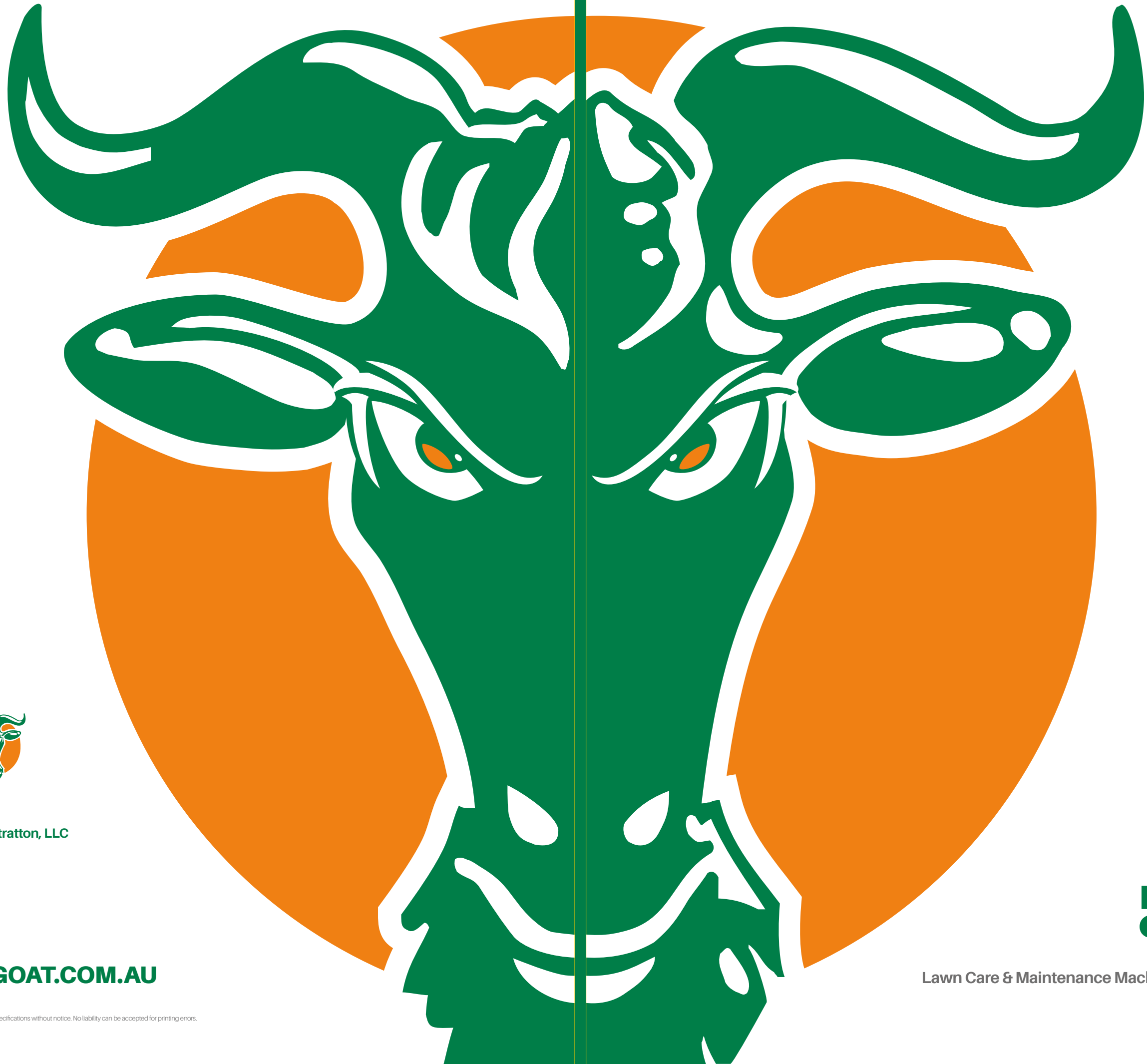


Clean Up Your  
**World**



**Billy Goat® Industries**  
A subsidiary of Briggs & Stratton, LLC

Locked Bag 5004,  
St Clair NSW 2759  
P: 1800 356 632

[WWW.BILLYGOAT.COM.AU](http://WWW.BILLYGOAT.COM.AU)



Lawn Care & Maintenance Machinery - **Catalogue 2021**

Briggs & Stratton, LLC. Copyright © 2020.  
We reserve the right to discontinue models or change specifications without notice. No liability can be accepted for printing errors.  
MK20091A



## Clean up your World™ with Billy Goat!

Thank you for your interest in Billy Goat! For more than 50 years, Billy Goat® has been the leader in making properties across the globe look fantastic. The equipment in this catalogue represents the best in specialty turf products with close attention to detail in an effort to make Billy Goat products simple to operate, highly productive, less fatiguing, and a pleasure to use!

Inside you will find innovative features like advanced fan technology in our blowers; hydrostatic drive systems and intuitive controls in our brush cutters, aerators, and turf cutters that take the guesswork out of ground speed and direction; customer-friendly ergonomics that reduce noise, weight, dust and vibration across the line.

Rest assured that Billy Goat products are customer focused, engineered and rigorously field tested to our customer's highest requirements which is why they are known for their outstanding durability and rugged performance year after year.

When it comes to cleaning up, Billy Goat features leading solutions for all your residential, commercial, and municipal cleanup needs. We invite you to review our range, refer to our website, watch our videos and work with our worldwide network of stocking and servicing dealers to pick the machine that is right for your cleanup needs.

Yours sincerely,  
Billy Goat Industries.





## Ground Care



Introduction	04
Power Rakes	06
Aerators	08
Turf Cutters	14

## Cutting & Mowing



Introduction	16
Brushcutters	18

## Debris Management



Introduction	24
Force Blowers	26
Hurricane Blower	29
Leaf & Litter Vacuums	32
Debris Loaders	39



# Turf and renovation projects for the perfect property

Keep your lawn in perfect condition with Billy Goat turf and renovation machines. With our powerful power-rakes you can remove thatch from turf the fast way. Our aerators let air in by the roots. Get to know our turf-cutters for the easiest way to remove turf for your renovation projects or installation of pipework for irrigation in your lawn.

All the machines are made for durable and efficient working. They are very easy to operate making the whole range ideal for residential, professional users and hire companies.







Model shown:  
PR550H

### **PR Series**

PR550H (883051)

The PR Series efficiently removes matted thatch from turf in 20" / 51 cm passes, and its rugged design withstands the most demanding use. The rotation of the flail blade shaft is clock wise, this propels the PR forward, making it self propelled.

As the PR Series weighs slightly more than other power rakes on the market, with steel guards, heavier wheels, premium bearings, and a 3.6 mm steel engine base, the PR absorbs much of the vibration before it is transferred to the handle, which improves operator comfort and handling.

The PR comes standard with Honda® power coupled to a free swinging , heat treated, tempered flail blade reel, mounted to heavy-duty cast iron pillow block bearings with grease fittings.

The PR is convertible to an overseeder or vertislicer with optional accessories.



## Features

### PR Series



#### Heavy Duty Depth Adjustment

Save on blade wear when compared to pre set adjustments that may promote premature flail wear. +12mm to -25mm.



#### PR Flail Reel

Heat treated and tempered blades stand up to heavy use.



#### Foldable Handles

Great for storage, transport and longer life.



#### Premium Construction

Steel pulleys, easy to adjust idler and easy to change belt contribute to long life. Protected by a steel guard.

## Accessories



#### Vertislising Reel

Perfect for thinning running grasses, improving drainage and overseeding. (80023141)



#### Overseeder Conversion Kit

Convert your Power Rake to an Overseeder. (80023050)

#### USE / LEVEL

#### PROFESSIONAL / COMMERCIAL

#### PR Series

PR550H (883051)

#### ENGINE

Engine Make

Honda

Engine Model

GX160

Performance kW [HP]

4.1 [5.5]\*\*

Displacement (cc)

163

#### POWER RAKE

Productivity (m<sup>2</sup>/h)

1.225

Rake Width (cm/inch)

51 / 20"

Drive Type

Push

Rake depth (cm)

0.3 - 1.3

#### DIMENSIONS / WEIGHT

Weight (kg)

72

Length x Width x Height (cm)

116 x 67 x 119

#### ACCESSORIES

PR Vertislising Reel (80023141)

•

Flail Blade Kit (80023149)

•

Overseeder Conversion Kit (80023050)

•

\* All power levels are provided by Honda.



**Compact, easy to use  
Drum Aerator**

**Ideal for  
hire  
companies**

Model shown:  
AE401H

### **AE401 Drum Series**

AE401H (883037)

This mechanical 19" / 48cm wide aerator eliminates cumbersome filling of a conventional centre drum found on other units on the market, which are prone to wear, vibration and damage.

Billy Goat's outboard drive wheels also eliminate centre wheel slip and abuse from ramp loading with the tines engaged. Instead of bulky steel weights, water weight is positioned directly over the tines for better aeration depth.

Operators love the softest drive and tine engagement and the exclusive Lift N Lock™ feature allows the tines to be raised by simply lifting up on the handle.

The Fold-n-Go™ handles and the tilt up serviceability make service and transport convenient and simple.

The AE401H is powered by Honda® and can aerate up to 2,000m<sup>2</sup> per hour.







## The Benefits of Aeration

The purpose of aeration is to create better conditions for the exchange of air and water in the soil, improving the penetration of water and fertilisers in the soil.

If turf is trampled and walked over continuously, the lawn develops a compact surface that leads to degradation of the lawn surface.



## Features



### Outboard Drive Wheels

Eliminate both centre wheel slip and abuse from ramp loading with the tines engaged.



### Single Bolt Tine Fastener

Rock solid and easy to service.



### Tine Engagement and Lift N Lock™ Disengagement

For best in class comfort and productivity.



### Water Tank

Proprietary water tank eliminates bulky side weights. 23 litre capacity.

### Easy to Store and Service

Tilt up serviceability plus Fold-n-Go™ handles are excellent for transport and storage and fold without tools.

## Accessories



### Solid Steel Tines

Excellent for improving drainage or for other no-plug applications. Sold as a set. (360394-S)





Cam-driven, hydrostatic transmission

### HYDRO Series

AE1300H (883043)

This machine combines true 30"/76 cm wide aeration and speed up to 6,9 km/h to complete 1.600 m<sup>2</sup> in as little as 15 minutes. That is 59% faster than a 26"/66 cm drum. Plus no more lifting on turns, aerate in reverse, do trim and edges with ease and significantly improve hole quantity and quality.

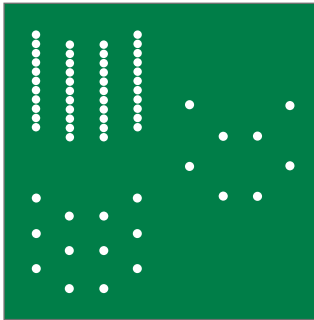
Variable Aeration Density (VAD™) from 8 to 48 holes per square metre in one pass and variable hydrostatic drive for aeration in both forward and reverse.

The FLEXTech™ arms make the core depths up to 2x that of drums. The In-Ground Turning feature provides unmatched manoeuvrability, ergonomics, ease of turning, improved production, reduced downtime and turf repair when compared to drum aerators.





## Features



### VAD™ (Variable Aeration Density)

Creates 2-10x more holes than drum models in one pass. Eliminates double aerating and offers ability to do patch repair and seed bed prep in one pass.



### FLEXTech™ Arms

Independently acting arms are durable and forgiving for unmatched reliability. Reciprocating action drives core depths up to 2x that of drums. Reduces call backs and / or rework regardless of soil condition.



### Fast Tine Service

Only 8 tines and 4 bolts are easily accessed for 10% of the time needed to service 40+ tine, 2-bolt drum units.



### 15" / 38 cm Tyres

This unit has 15" / 38 cm tyres and a 35" / 89 cm wheel base to accommodate slopes up to 20-degrees.



### In-Ground Turning

Provides unmatched manoeuvrability, ergonomics, ease of turning, improved production, reduced downtime and turf repair when compared to drum aerators.



### Reverse Aeration

The AE1300H allows aeration in reverse for even more productivity.



## Accessories



### Solid Steel Tines

Excellent for improving drainage or for other no-plug applications. Sold as a set (80023021).

**Cam-driven Aerator**



\*PL1802V pictured

**PLUGR® 18**

PL1803V (2691897)

This compact 18" (46 cm) aerator is ideal for smaller property aeration or hire companies and features reciprocating cam tines that propel the unit forward and drive cores up to 7 cm deep. The unit can aerate up to 2,000 m<sup>2</sup> per hour, is simple to operate for homeowners, easy to steer without lifting and requires no add-on weights.

The easy folding handle allows for compact transport and storage. Only four tines and no chains along with a no-tool removable cover make for easy maintenance.

This PL1803V model is powered by a reliable Vanguard® engine.

**Features**

**PL 18 Series**



**Easy Fold Handles**

Folding handles provide compact transport and storage.



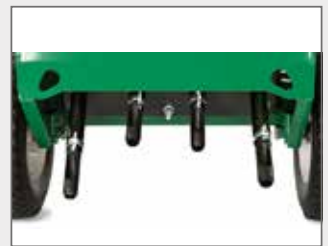
**ISO Mounted Handle**

ISO mounted folding handles help reduce vibration and offers fatigue free operation so you can complete more work in less time!



**Cam-Driven Aerators**

Punches tine core depths to 7 cm even in hard soil conditions. Spring loaded rotor assist for aggressive forward motion of the tine rods.



**Tensile Hardened Thin Wall Tines**

Simple, durable screw-in design makes service simple. Four tines on PL18 Series



\* All power levels are provided by Honda.



TYPE	DRUM	RECIPROCATING CAM	RECIPROCATING CAM, HYDRO DRIVE
	AE401 Series	PLUGR® 18 Series	Hydro Series
	AE401H (883037)	PL1803 (2691897)	AE1300H (883043)

#### ENGINE

Engine Make	Honda	Vanguard	Vanguard
Engine Model	GX120	160 Series	GX390
Performance kW [HP]	2,9 [4,0]**	3.7 (5)	9.7 [13,0]**
Displacement (cc)	118	169	390

#### AERATOR

Productivity (m <sup>2</sup> /h)	2.000	2.000	6.475
Working Width (cm/inch)	48 / 19"	46 / 18"	76 / 30"
Tine Type	Drum	Reciprocating Cam	Reciprocating Cam
Tine Depth (cm)	8,9	7	7,6
Number of Tines	24	4	8
Tine pattern (cm)	12 x 18	6.5 x 19	
Drive Type	Self Propelled	Forward propulsion by tines	Self Propelled
Transmission Type	One Gear		Hydrostatic
Wheel Type	Semi-Pneumatic	Semi-Pneumatic	Semi-Pneumatic

#### DIMENSIONS / WEIGHT

Weight (kg)	110	109	234
Length (cm)	145	145	170
Width (cm)	74	61	87
Height (cm)	133	100	117

#### ACCESSORIES

Solid Steel Tines Set (360394-S)	•		
Solid Steel Tines Set (80023021)		•	•
Chariot (362600)			•
Foam Filled Tyres (80023032)			•

## Accessories, Assorted Tine Sizes and Styles



#### Service Kits

Common replacement parts for your PLUGR® Series Aerators.  
(PLUGR® 18 - 380204 - 4 required)



3/8"  
(9,5 mm)  
Hollow.  
(331150)



3/8"  
(9,5 mm)  
Solid.  
(381151)



7/8"  
(22 mm)  
Solid.  
(381149)



5/8"  
(16 mm)  
Hollow.  
(381057)



Zoysia  
(44 mm)  
Hollow.  
(381152)

Hydrostatic transmission



Model shown: SC181H

### SC18 Series

SC181H (883095)

The SC18 Series sod cutter is built upon the most rugged foundation in the industry with a superstructure frame featuring 23 kg of steel and supports a robust drive and cut system. A variable speed hydrostatic transmission allows operators to match cutting speed to ground condition in both forward and reverse.

The SC181H comes standard with a rear caster wheel for curved cuts and locks for straight cutting and handle isolation mounts absorb vibration for smooth, fatigue-free operation. Other user-friendly features include an hour meter, heavy-duty front bumper bar and six convenient tie-down points.

Coupled to Honda power with a 3-year warranty, Billy Goat's 18" / 46 cm hydro sod cutter will be a favourite for irrigation, landscape, hardscape, sports field, flatwork and golf customers.





## Features



### Unique Paddle-Style Drive Wheels

SC181H model. For landscape applications. Designed to shed mud in wet conditions and grip in dry for improved cutting in all conditions.



### Tie Down Points

Convenient tie-downs make machine transport safe.



### Rear Swivel Caster

Perfect for curved work or making turns at the end of a pass. Locks for straight cutting.



### Vented Housing and Service Doors

Provides increased venting for cool operation. Three easy access service doors located at front / back of machine offer convenient access for servicing.



### Set and Forget™ Blade Depth Adjustment

Single lever and clamp at user's operating position adjusts simply, saving time and providing precise cutting depths to 6 cm.

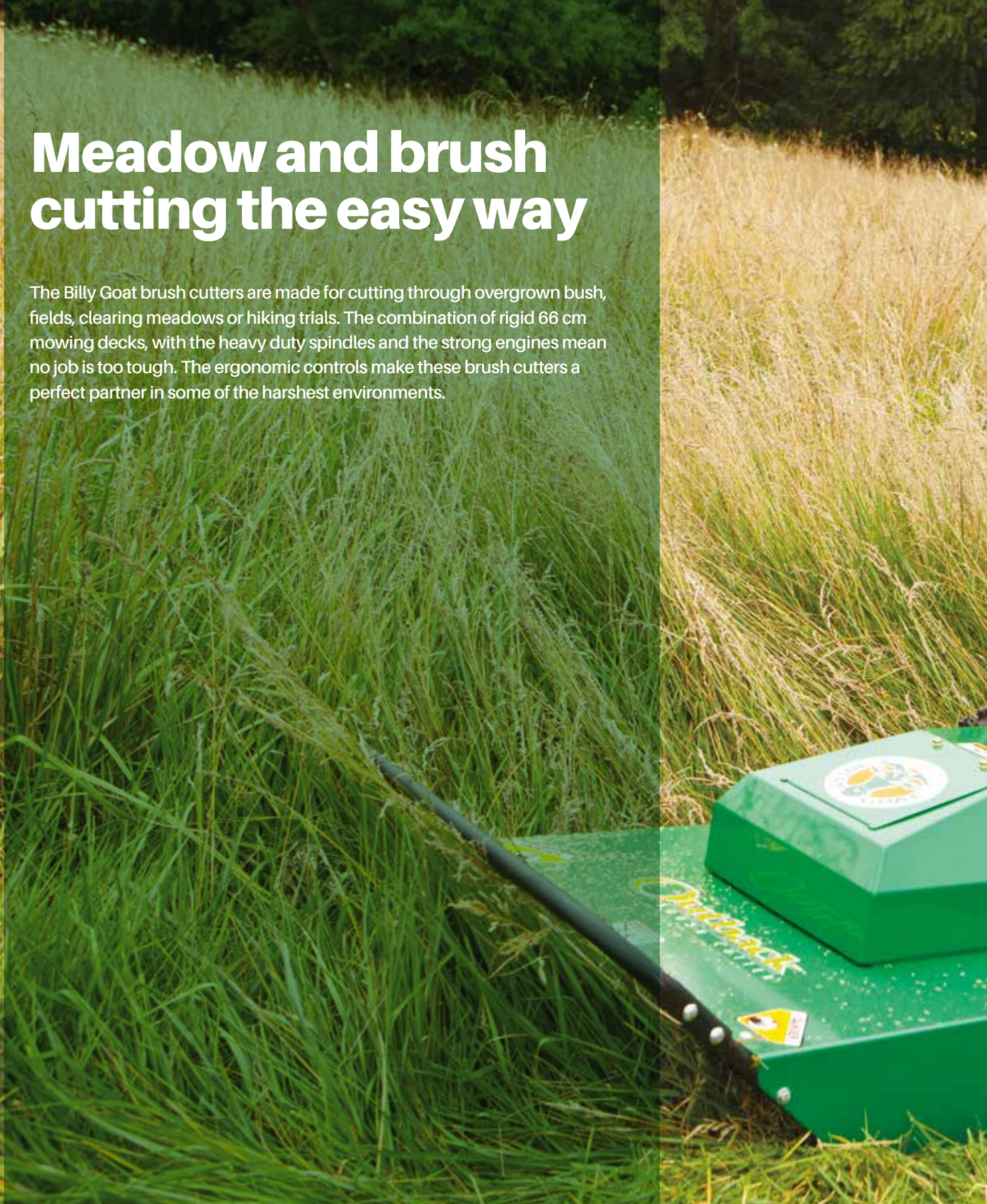
USE / LEVEL	PROFESSIONAL / COMMERCIAL
	<b>SC18 Series</b>
	SC181H (883095)
ENGINE	
Engine Make	Honda
Engine Model	GXV160
Performance kW [HP]	4.1 [5.5]**
Displacement (cc)	163
CUTTER	
Cutting Width (cm/inch)	46 / 18"
Cutting Depth (cm)	6.3
Drive Type	Self Propelled
Transmission Type	Hydrostatic
Transmission Brand & Model	HydroGear RT310
DIMENSIONS / WEIGHT	
Weight (kg)	179
Length (cm)	152
Width (cm)	67
Height (cm)	98



\*\* All power levels are provided by Honda.

# Meadow and brush cutting the easy way

The Billy Goat brush cutters are made for cutting through overgrown bush, fields, clearing meadows or hiking trails. The combination of rigid 66 cm mowing decks, with the heavy duty spindles and the strong engines mean no job is too tough. The ergonomic controls make these brush cutters a perfect partner in some of the harshest environments.









Model shown:  
BC2601HM

**Mechanical transmission.  
Ideal for meadow work**

### **BC Series - Fixed Deck**

BC2600HM

The 26" / 66 cm wide fixed deck commercial-duty brushcutter provides excellent stability in deep vegetation.

The mechanical transaxle, featuring 3 speeds forward and 1 reverse, is ideal for clearing meadows and fields or cutting paths and trails wherever dense brush and weeds present a clean-up challenge.

The heavy-duty blade spindle is reinforced on four sides to tackle the toughest cutting conditions, including thick brushes, grass and weeds over 180 cm tall, and saplings up to 5 cm diameter. For operator comfort and high productivity, forward and reverse controls are at your fingertips.

This fixed deck brush cutter is powered by a trusted Honda engine.

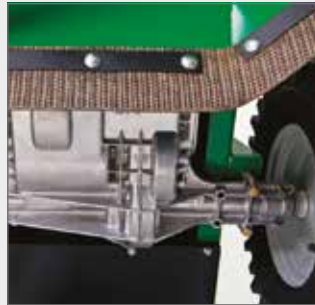


## Features

### BC Series - Fixed Deck



**Fixed Rear Discharging Deck**  
Does not articulate and pull, snag on hills, holes or uneven ground. Provides excellent stability in deep vegetation. Rigid Deck.



**Heavy-Duty Mechanical Transaxle**  
Combines the transmission and differential into one sealed package with no linkages to snag on brush. Three speeds and reverse.



**Heavy Duty Blade Spindle**  
Reinforced in four directions for maximum durability and safety, so you can keep cutting in the harshest conditions.



**Ergonomically-Angled Control Handles with Padded Grips**  
Intuitive drive controls make it easier to move forward and reverse. Wide handles with padded grips and guards for maximum protection and leverage in deep brush.

### BC Series - Pivoting Deck



**Pivoting Rear Discharging Deck**  
+/- 12 degree and 66 cm wide pivoting deck with proprietary return to neutral is engineered to glide over uneven terrain and deep brush.

BC2601HHEU only

**Wide Tyres**  
Wider tractor tyres for better traction and pulling power.



**Tuff Torq™ Hydrostatic Transaxle**  
With ETC (Enhanced Traction Control) is fully automatic, sensing when the rear wheel starts to spin, locking the wheel to provides superior traction on hills or in wet and uneven conditions.



**Rubberised Rear Deck Trim**  
Allows for easier stump clearance in reverse.



**Intuitive Drive Controls & Handles with Padded Grips**  
Best in class control package allows the user to feather in forward and reverse directly from the handles - no shifting required.



**Heavy Duty Blade Spindle**  
Reinforced in four directions for maximum durability and safety, so you can keep cutting in the harshest environments.



**Swivelling Front Caster Wheels**

The swivelling caster wheels provides stability to the pivoting mower deck to cut bushes and weed evenly at higher heights up to 9,5 cm tall.

**BC Series - Pivoting Deck, Swivel Wheels**  
BC2601HHEU

The BC2601HHEU offers all the great features of the BC Series with pivoting deck and variable Tuff Torq™ hydrostatic transmission but has lockable front caster wheels to help hold hillsides. The caster wheels allow the brush cutter more mobility when being turned.

Ergonomically-angled handles with padded grips offer comfort and protection. Never take your hands off the machine to shift gears with conveniently located controls. It is equipped with a powerful Honda engine.

**Hydrostatic drive & swivel wheels.**  
Ideal for rough terrain, hills and high brush





USE / LEVEL	ROUGH TERRAIN, HILLS & HIGH BRUSH	
	BC Series - Fixed deck	BC Series - Swivel Wheels
	BC2601HM	BC2601HHEU

#### ENGINE

Engine Make	Honda	Honda
Engine Model	GXV390	GXV390
Performance kW [HP]	9,7 [13,0]**	9,7 [13,0]**
Displacement (cc)	390	390
Starting	Recoil Start	Recoil Start

#### BRUSHCUTTER

Productivity (m <sup>2</sup> /h)	2.700	2.700
Cutting Width (cm/inch)	66 / 26"	66 / 26"
Height of Cut (cm)	2,5 - 9,5	4,5 - 9,5
Height of Cut Adjustment	Fixed	Adjustable
Drive Type	Self Propelled	Self Propelled
Transmission Type	Geared	Variable Hydrostatic
Gears Forward	3	-
Gears Reverse	1	-
Diff Lock	-	Enhanced Traction Control

#### DIMENSIONS / WEIGHT

Weight (kg)	144	147
Length (cm)	183	203
Width (cm)	78	78
Height (cm)	121	121

\* All power levels are provided by Briggs & Stratton. \*\* All power levels are provided by Honda.

### Outback® Series

BCR3626BVECE

Billy Goat Outback® ride-on brushcutters have set the highest standard for professional brush cutting equipment on the market. The new Outback® 4WD Rider continues to expand the Billy Goat line-up. This exciting new product offers unique features and benefits to combat the most demanding conditions.

When rough and overgrown areas limit the use of conventional mowers, this robust machine delivers the ultimate performance for these conditions.

The Outback® 4WD Rider has been designed with a low centre of gravity in combination with a four wheel drive system that enables it to tackle those hard-to-reach places that wouldn't have been accessible to traditional machines.

The spacious platform provides sufficient space and comfort for the operator. The heavy duty mower deck is equipped with swing-back cutter blades that swing away when accidental contact is made with a solid object. These features help to protect the mower deck and cutter blades from accidental damage.

Look no further than the Billy Goat Outback® when you are looking for the ultimate brush cutting machine.



### Specifications Outback® Ride-on Brushcutter

USE / LEVEL	ROUGH TERRAIN, HILLSIDES & HIGH VEGETATION
	<b>Outback® Series</b>
	BCR3626BVECE

ENGINE	
Engine Make / Model	Briggs & Stratton Vanguard™ 810cc EFI, V-Twin
Engine Performance	26 gross HP (SAE J1940) / 810cc*
Air Filtration	Donaldson® 2 stage cyclonic air cleaner
Fuel	Petrol (up to 10% ethanol)
Fuel Tank Capacity	16 Litres

BRUSHCUTTER	
Cutting Width (cm/inch)	92 / 36"
Height of Cut (cm)	5 - 13.5 cm (in transport mode max. 16 cm)
Height Adjustment	Adjustable in 5 positions, one transport position
Drive System	Tuff Torq 4WD system with K664 hydrostatic transaxle and KXH10M front axle
Transmission Cooling	Remote Oil Cooler with Electric Fan
Parking Brake	Internal Transaxle
PTO Clutch	Warner Electro Magnetic Clutch
Deck Drive System	B-section Belt with Soft Start Function
Forward Speed (km/h)	0 - 9.5
Reverse Speed (km/h)	0 - 7.5
Differential Lock	Standard, Lever Activated
Front Wheel (inch)	16 x 6.50 - 8, agricultural tread
Rear Wheel (inch)	20 x 10.00 - 8, agricultural tread
Steering Method	Mechanical Steering
Seat	Adjustable Contoured Seat with Armrests and Seat Belt
Lights	Halogen Front Lights and LED Contour Light Front and Rear
Display Control Lights	Mower Deck Engagement, Parking brake, Oil Pressure, Battery, Fuel Level Warning, Cruise Control, Hour Meter
Bumper	Front and Rear

OTHER INFORMATION	
Length x Width x Height (mm)	2350 x 1040 x 1740
Ground Clearance (mm)	125
Wheel Base (mm)	1480
Minimum Turning Radius (mm)	1280
Rear Wheel Internal Radius (mm)	750
Weight (kg)	403
Maximum Inclination (°)	22

\* All power levels are stated gross HP at 3,600 RPM per SAE J1940.

**4WD - Professional use Ideal for rough terrain, hillsides and high vegetation**



Vanguard™ EFI (Electronic Fuel Injection) provides a wide range of benefits for a versatile line of applications. These benefits include reduced fuel consumption providing up to 25% better fuel economy than a carbureted engine\* (closed-loop systems only), increased power, alcohol stale fuel resistance, and engine performance that increases governing control and load acceptance. Vanguard™ EFI systems also deliver optimized starting, including cold & hot restart and chokeless starting.

\* Fuel savings may vary based on cutting conditions and other factors.



## Features



### Professional Engine

The 26 HP Vanguard™ 810cc EFI engine features reduced fuel consumption, increased governing control and load acceptance, optimized chokeless starting and altitude compensation - all ideal for commercial turf applications.



### ROPS Structure

A certified ROPS (Roll Over Protection Structure) with safety belt protects the machine and operator for rolling over and can fold 180 degrees backwards to allow for easier loading inside a van or trailer.



### User Friendly Dashboard

The operators compartment features a dashboard with control and warning lights, electric PTO engagement switch with soft start function, steering wheel with tilt-function and spinner knob, cruise control switch and a parking-brake lever.



### Heavy Duty Bumpers

The wide front and rear bumpers protect the rider against accidental impacts and incorporates tie-down points for securing the machine during transportation.



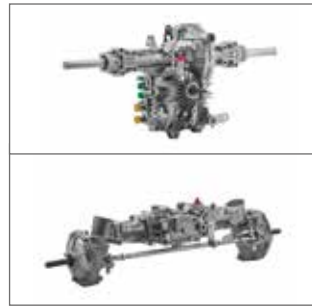
### Durable Mower Deck

The strong fabricated rear discharge deck discharges grass clippings rearwards. Replaceable swing-back cutter blades reduce accidental blade damage, with flip-up lids on the side of the deck providing easy access to the swing-back cutters when needed.



### Ergonomic Operators Platform

The large operators platform provides sufficient space for even the tallest user. Secondary footrests provide a secure foothold especially for use on hillsides. The contoured seat with armrests keeps you comfortable all day and is equipped with fore and aft positioning. Integrated hand rails provide a secure grip on the machine when needed.



### Drive System

The Tuff Torq™ 4WD system automatically controls the output to all drive wheels. Combined with a manual locking differential, this 4WD system provides all the traction you need in challenging terrain.



### Clean Air

The large Donaldson® dual stage industrial cyclonic air cleaner keeps the incoming air clean and extends the service interval by 4x when compared to a traditional panel-style air filter.



### Drive Wheels

Large drive wheels with agricultural tread ensure sufficient grip. The pivoting front axle allows all four driven wheels to remain in contact with the ground for maximum traction.



### Transmission Oil Cooler

A remote transmission oil cooler controls the transmission oil temperature even in the toughest conditions, reducing thermal oil breakdown for an extended operating life of the system.









# Clean up with our vacuums, blowers and debris loaders

From small property residential to large property commercial leaf clean-up, Billy Goat's full line of Debris equipment gets your job done easy and fast.

With the biggest range of vacuums you always find the best machine. The light Force™ blowers are up to 30% lighter and deliver up to 7x the power of a backpack. If you have to manage big amounts of leaves or rubbish, let us convince you by the power of our debris loaders.

Check on the next pages which machine fits your job.

**Lightweight,  
easy to push**Model shown:  
F601V**F6 Series**

F601V (883079)

Billy Goat's F6 Series force blowers feature the next level of performance and productivity in push blowers. Forget the fatigue factor associated with heavy metal machines, these models are a remarkable 30% lighter than comparable steel units making it a breeze to roll around the lawn. Ideal for residential clean up and it is 2,5 times more powerful than a backpack, so you'll get your work done faster with less fatigue.

F601V is equipped with a professional Vanguard™ engine.

**Increased power**Model shown:  
F902H**F9 Series**

F902H (883082)

Step up to commercial clean up power. This unit is ideal for medium size maintenance contractors and large property owners. The F902H is backed by a 3-year Honda engine warranty.

**Professional use**Model shown:  
F1302H**F13 Series**

F1302H (883083)

Professional power and productivity, the Honda powered force blower is a favourite for full size landscapers, schools, parks departments, cemeteries, resorts and golf and estate properties.

**Key Features:**

All models feature

Aim &amp; Shoot™ throwing debris farther (pictured left).

5 year housing warranty  
on F9 - F13 Series.



## Features



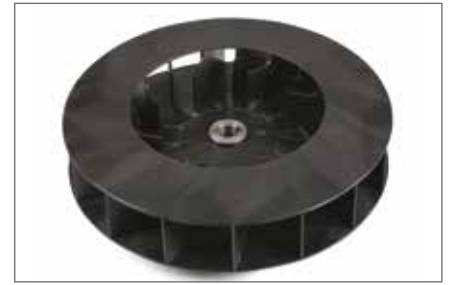
### Aim N Shoot™

Directs the airflow where you need it most with fingertip control and is lockable for single positions.



### Smooth, Rounded Housing

Eliminates air voids for a smooth, quiet, powerful flow. Proven design won't rust or dent. Backed by a 5-Year housing warranty.



### Advanced Fan Technology

Features a single shot 16-blade closed face fan; twice as many blades as others on the market.

## Accessories

### F6 Series



### Forward Discharge

Improved design of soft rubber. It is perfect for cleaning along walls and fences. Standard on F9 - F13 Series models. (80023174)

### F9 - F13 - Series



### Caster Wheel Kit

Allows more manoeuvrability in tight spaces for moving airflow from side to side, without lifting the front wheel. (80024043)



### Parking Brake Kit

Locks drive wheels to park the force blower on hill sides. (80023499)



### 3 m Hose Kit

Fits over nozzle to direct airflow into hard to reach spaces. \* F601V Only (80024044)



### Quick Hold Down Kit

Quick trailer lock down attachment saves time.



### Foam Filled Front Tyre

Foam filled tyres cannot be punctured, avoiding costly downtime and tyre replacements.



USE / LEVEL	SMALL	MEDIUM	LARGE
	<b>F6 Series</b>	<b>F9 Series</b>	<b>F13 Series</b>
	F601V (883079)	F902H (883082)	F1302H (883083)

#### ENGINE

Engine Make	Briggs & Stratton	Honda	Honda
Engine Model	Vanguard™	GX270	GX390
Performance kW [HP]	4,1 [5,5]*	6,6 [9,0]**	9,6 [13,0]**
Displacement (cc)	205	270	393

Output Diameter (cm)	8.9	10.2	12.7
Drive Type	Push	Push	Push
Air Velocity (km/h)	320	320	320
Impeller Blades	16	16	16
Fan Size (inch [cm])	16 [40,6]	17 [43,2]	17 [43,2]
Front Wheel Tyres (inch [cm])	8 [20,3] x 3 [7,6]	10 [25,4] x 3 [7,6]	10 [25,4] x 3 [7,6]
Front Tyre Type	Semi-pneumatic	Pneumatic	Pneumatic
Rear Wheel Tyres (inch [cm])	10 [25,4] x 3 [7,6]	13 [33] x 5 [12,7]	13 [33] x 5 [12,7]
Rear Tyre Type	Pneumatic	Pneumatic	Pneumatic

#### DIMENSIONS / WEIGHT

Weight (kg)	40	65	69
Length (cm)	111	143	143
Width (cm)	56	74	72
Height (cm)	114	114	114

#### ACCESSORIES

Hose Kit (441166)	•		
Forward Discharge (441130)	•		
Caster Wheel Kit (440293)		•	•
Quick Hold Down Kit (440120)			•
Parking Brake Kit (441140)		•	•
Foam Filled Front Tyre (440279)			•



# Billy Goat<sup>®</sup> Hurricane<sup>™</sup> Blower



Double-down on productivity with world class commercial cleanup

Billy Goat's New Zero Turn Stand-On Blower maximises productivity & performance!

Billy Goat has broadened its clean-up family of products with the feature-rich Hurricane Z3000 blower. The Hurricane<sup>™</sup> boasts unprecedented commercial leaf and debris cleanup. From seamless operating controls to directional blowing options, robust blowing power and zero-turn manoeuvrability, the Billy Goat Z3000 Stand-On Blower takes productivity to a whole new level!



**VANGUARD<sup>®</sup>**



## Debris Management - Hurricane Blower



### ENGINE

Model	Z3000
Engine	993cc Vanguard®
Transmission	Twin HYDRO-GEAR® 3100 IZTs
Velocity	265+ km/h
CFM	8500
Travel Speed (km/h)	17.7
Fuel Capacity (L)	37.8

### DIMENSIONS / WEIGHT

Weight (kg)	406
Height (mm)	1430
Width (mm)	1143
Length (mm)	1651

Model shown:  
5901807-Z3000

Zero Turn Stand-On Blower (5901878)





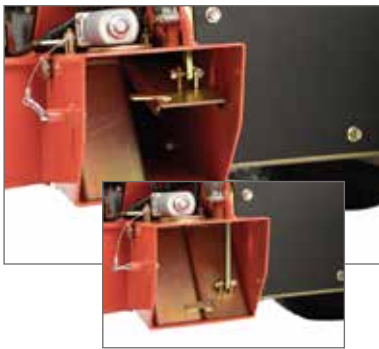
## Features and Specifications



**Patented Quad Control Handle System™** offers seamless forward / reverse direction, automatic return to neutral, integrated operator presence control and a self-activating parking brake. Intuitive controls for ease of operation!



**Z3000 Blower Housing** design draws air from both sides of the housing for increased air velocity, less noise, and offers more power to push leaves and debris farther so you can clean up faster.



**Patented Dual Deflector Air Flow System™** allows the operator to change the angle of air flow for deeper more efficient cleaning of leaves and debris. Air flow can be shut down on all three discharges for transport.



**Torsion Mounted Front Axle Assembly** handles curbs with ease; like they're not even there!



**Ergonomic Operator Platform & Thigh Pad** Non skid platform and thigh pad offer ease of operation and operator comfort.



**Joy Stick Deflector Control** allows the operator quick and easy control of air flow from left, right or forward directions, eliminating the need to blow in reverse. Simply pull-back on the lever to close flow for transport.



**Automatic Parking Brake** self-activates if the need to briefly step off of the machine arises.



**L.E.D. Lights** for night operation makes for easy cleanup when the seasonal change brings less daylight to complete jobs.



**Front and Rear Tie Downs** offer secure tie down points for ease of transport.

Front tie-down





Compact and easy to manoeuvre



### LB Series

LB352 (883059)

The Little Billy outdoor leaf and litter vacuum, weighing only 26 kg and 51cm / 20" wide, is a particularly light and manoeuvrable entry level vacuum featuring superior suction. The unit is ideal for vacuuming leaves, grass and garden debris on patios or hard surface areas. Powered by a reliable Briggs & Stratton 500E Series™ engine.



Easy operation

Model shown:  
KV601FB With optional hose kit

### KV Series

KV601FB (883219), KV650HFB (883061), KV650SPHFB (883063)

Powerful suction and easy operation make clean up a snap for leaves, seeds, mulch, blooms, branches, litter and debris. Ideal for multi-surface residential and light commercial use, Billy Goat's versatile 69cm / 27" wide lawn and litter vacuum has variable height adjustment for hard surface or turf work. 30cm / 12" tyres on the push vacuums and rear wheel drive on the self propelled vacuums makes operation easy, even in hilly environment. The KV Series vacuum are powered by trusted Briggs & Stratton and Honda engines.

\* All power levels are provided by Briggs & Stratton. \*\* All power levels are provided by Honda.





## KV Series Features



**Robust Transmission**  
Single speed self propelled.  
Great for hilly turf applications.  
KV650SPH



**Integral Dust Skirt**  
Keeps dust down and away from the operator.



**5-Blade Serrated Impeller**  
Maximizes suction, long life time and debris reduction.

## Accessories

### LB Series



**LB Hose Kit (80023286)**  
10 cm x 210 cm  
(80023286)



**LB Turf Bag**  
Turf bag for Little Billy. 105 litre capacity.  
(80023289)

### KV Series



**Castor Wheel Kit**  
Increases manoeuvrability.  
(80023276)



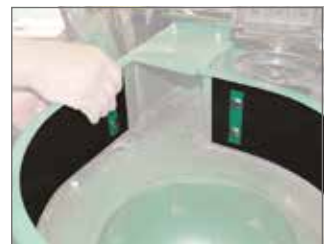
**Nozzle Wear Kit**  
Prevents nozzle wear on hard surface applications.  
(80023275)



**KV601FB with Hose Kit**  
The optional hose kit helps between shrubs, beds and under decks or utilities.  
With telescopic handle  
(80023273)



**Foldable Turf Bag**  
For increased airflow. 151 litre capacity.  
(80023277)  
Also available zipper-free felt bag.  
(80023274)



**Liner Sleeve**  
Protects housing in sandy conditions.  
(80023278)



**Cover**  
Waterproof.  
(80023066)



**Shredder Screen Kit**  
Reduces dry leaves up to 12:1.  
(80023256)

Model shown:  
MV650H



### MV Series

MV650H (883066), MV650SPH (883067)

Step up to the heavy-duty clean up power of the MV Series 74cm/29" wide lawn and litter vacuums. Designed for both hard surfaces and turf, the MV Series is ideal for larger properties, commercial lots, leaf clean up, hire companies, parks, city streets, school districts or municipal clean up. Powerful 6-blade serrated impeller for maximum suction and debris reduction. Picks up cans, bottles, grass clippings, litter and other debris with ease. Abrasion-resistant composite housing components reduce weight and won't rust or dent.

The MV Series vacuums features the option of push unit and self propelled, 3 speed drive.





## Features



### 74 cm / 29" Gobbler Door

Adjustable from the operator's position for easy switching between hard surface, turf or hose applications.



### Unique Top Fill Design

Keeps dust out of operator's face and ensures optimum filling.



### Top Loading Bag

Slides in and out on rails for best in class unloading. The 151 litres mesh bag holds up to 23 kg of debris.



### Easy Control of Height

Crank style for optimum performance on turf and hard surfaces.



### 3-Speed Transmission

The MV Series self propelled models are equipped with a 3-gear ultra smooth and durable transmission.



### 36cm / 14" Wheels

The 14" wheels smooth out the rough areas and make the vacuum manoeuvrable.

## Accessories



### Electrostatic DUST SOCK™ Kit

Traps dust for optimum operator and air quality protection. (80023248)



### Disposable Bag Liners

Eliminates the extra step of bagging your debris. Pack of 12. (80023242)



### MV Series Hose Kit

MV Series vacuum with optional hose kit attached to the gobble door. With telescopic handle. Diameter 12,7 cm / 5". Length 305 cm / 10'. Model shown: MV601SPE. (80023240)



### Cover

Waterproof. (80023066)



### Caster Wheel Kit

Increases manoeuvrability. (80023241)





## Debris Management - Leaf & Litter Vacuums

Model shown:  
QV550HSP with optional hose kit

**Low dust, low noise  
with QuietVac™**



### QV Series

QV550HSP (883069)

Billy Goat's 84cm / 33" QUIETVAC™ is the world's quietest vacuum. It's unique cyclonic filtration with exclusive Dust Sock™ technology that dramatically reduces dust in dry conditions.

The housing and 6-blade armour plate steel fan combination provide optimum suction power and 12 to 1 debris reduction for composting in dry conditions.

This hard surface machine is ideal for contractor use and municipal clean up applications such as tarmac, school campuses, hospitals, parks, churches, airport pedestrian areas, resorts, city streets and pavements. propelled vacuums, all powered by Honda.





## Features



### QUIETVAC™

As low as 97 LWa and 77 dBa at full rpm and 96 LWa and 76 dBa at 2800 rpm.



### Debris Bag Dust Skirt

The QV Series vacuums are standard equipped with a debris bag dust skirt. (80023226)



### Turf Bag

Large 136 litres turf bag with 4 hooks. Loading and unloading is fast and easy. (80023091)



### Powerful Suction

Unique housing and fan system provides the best suction power of any vacuums on the market today.



### Durable Front Casters

Roll smoothly through turns and over uneven surfaces.



### Easy Steering

Thanks to the clutches on the handlebars the QV Series is easy to manoeuvre, even in the most restricted areas.



### Hydrostatic Drive Transmission

The self propelled models have a hydrostatic transmission from 0-3 mph (0 ~ 4,8 km/h) with infinite forward and reverse.



### Unique Cyclonic Filtration

The cyclonic filtration system, when combined with exclusive DUST SOCK™ technology, dramatically reduces dust in dry conditions, providing the ultimate in operator comfort.

### Electrostatic DUST SOCK™

The DUST SOCK™ acts as a secondary filter lowering the amount of dust that escapes the bag. It is used in dry and dusty conditions only.

## Accessories



### Replacement Bag

Replaces the original vacuum bag. 136 litre capacity. (80023091)



### Collapsible Hose

5' x 10' (12,7 x 305 cm) hose; hand extension for best in class ergonomic use; on board storage. (80023223)



### Liner Sleeve

Protects housing in sandy conditions. (80023085)



## Debris Management - Leaf & Litter Vacuums

USE / LEVEL	SMALL SIZE				LIGHT COMMERCIAL / RESIDENTIAL			PROFESSIONAL / COMMERCIAL		
	LB Series	KV Series			MV Series		QV Series			
	LB352 (883059)	KV601FB (883219)	KV650HFB (883061)	KV650SPHFB (883063)	MV650H (883066)	MV650SPH (883067)	QV550HSP (883069)			

### ENGINE

	LB Series	Briggs & Stratton	Briggs & Stratton	Honda	Honda	Honda	Honda	Honda
Engine Make	Briggs & Stratton	Briggs & Stratton	Briggs & Stratton	Honda	Honda	Honda	Honda	Honda
Engine Model	500 Series™	Professional Series™	Professional Series™	GSV190	GSV190	GSV190	GSV190	GX160
Performance kW [HP]	2,6 [3,5]*	4,5 [6,0]*	4,5 [6,0]*	4,9 [6,5]**	4,9 [6,5]**	4,9 [6,5]**	4,9 [6,5]**	4,1 [5,5]**
Displacement (cc)	140	190	190	187	187	187	187	160
Starting	Recoil Start	Recoil Start	Recoil Start	Recoil Start	Recoil Start	Recoil Start	Recoil Start	Recoil Start

### VACUUM

	LB Series	Briggs & Stratton	Briggs & Stratton	Honda	Honda	Honda	Honda	Honda
Productivity (m³/h)	1.260	2.900	2.900	2.900	2.900	4.250	4.250	2.850
Working Width (cm/inch)	51 / 20*	69 / 27*	69 / 27*	69 / 27*	69 / 27*	74 / 29*	74 / 29*	84 / 33*
Drive Type	Push	Push	Push	Self Propelled	Self Propelled	Push	Self Propelled 3-gear	Self Propelled
Transmission Type	-	-	-	-	-	-	-	Hydrostatic
Housing Material	Composite	Metal	Metal	Metal	Metal	Composite	Composite	Metal
Wheels (inch)	8"	12"	12"	12"	12"	14"	14"	13" / pneumatic
Impeller Blades	4	5	5	5	5	6	6	6
Impeller Type	Non serrated	Serrated	Serrated	Serrated	Serrated	Serrated	Serrated	Serrated
Bag System	Zipper Bag	Foldable Bag	Foldable Bag	Foldable Bag	Foldable Bag	Sliding Bag	Sliding Bag	Bag with 4 hooks
Bag Capacity (l)	105	151	151	151	151	151	151	136

### DIMENSIONS / WEIGHT

	LB Series	Briggs & Stratton	Briggs & Stratton	Honda	Honda	Honda	Honda	Honda
Weight (kg)	26	53	57	61	61	73	82	103
Length (cm)	119	158	158	158	158	163	163	160
Width (cm)	55	68	68	68	68	74	74	84
Height (cm)	102	110	110	110	110	116	116	130

### ACCESSORIES

	LB Series	Briggs & Stratton	Briggs & Stratton	Honda	Honda	Honda	Honda	Honda
LB Hose Kit (900460)	•							
LB Turf Bag (900722)	•							
Hose Kit (891125)		•	•	•				
Hose Kit (840116)						•	•	
Caster Wheel Kit (891128)		•	•	•				
Caster Wheel Kit (8401029)						•	•	
Nozzle Wear Kit (891127)		•	•	•				
Liner Sleeve (891134)		•	•	•				
Cover (891137)		•	•	•		•	•	
Shredder Screen Kit (891153)		•	•	•				
Felt Bag (891126)		•	•	•				
DUST SOCK™ Kit (840263)						•	•	
Disposable Bags (840134)						•	•	
Sand Liner (840201)						•	•	
Replacement Bag (831612)								•
Parking Brake Kit (831609)								•
Collapsible Hose (831018)								•
Liner Sleeve (831610)								•
Chariot (830257)								•

\* All power levels are provided by Briggs & Stratton. \*\* All power levels are provided by Honda.



**Debris Management - Debris Loaders**

---



**Lightweight**

Model shown:  
DL1302H

**DL13 Series**

DL1301H (883072)/DL1302H (2691892)

An ideal combination of power and size, at 3.573 m<sup>3</sup>/h of suction, the DL13 debris loader is perfect for mid-size jobs. The unit is lightweight and equipped with a powerful Honda engine.

A dual shredding 35 cm / 14" wide armor plate impeller with Piranha™ blade reduces debris up to 12:1 and maximizes trailer loading across multiple properties before emptying, saving you time and dump fees.

The 20 cm intake hose is a 300 cm long, best in class, clear poly helical coil.



Model shown:  
DL1802VE

**DL18 Series**

DL1801V (883074)

DL1801VE (883075)/DL1802VE (2691895)

Step up to the midsize series of debris loaders, ideal for mid to large municipal and contractors applications.

The DL18 Series heavy-duty debris loader is powered by a Vanguard™ engine, producing suction at 6.300 m<sup>3</sup>/h.

The DL18 Series debris loader features a 40 cm / 16" diameter armor plate steel impeller with 8 cutting points, replaceable poly liner and a 12-gauge (2,7 mm) steel housing for maximum suction power.

The debris loader can be mounted with the optional hanger kit or skid mounted to a truck or trailer bed.

The 25 cm intake hose is a 300 cm long, clear poly helical coil.

**Dual Shredding and CustomFit™ mounting options are available on all Debris Loaders.**





High suction capacity



Model shown: DL3701V

### DL37 Series

DL3700V (883217)/DL3701V (2691896)

When commercial productivity counts, the DL37 debris loader is the most popular contractor and municipal machine.

The DL37's 37 HP Vanguard™ EFI engine delivers easier starting and fuel savings of up to 25% over carburetted equivalents. It is coupled to a 6-blade, armor plated impeller with 18 cutting points and dual shredding Piranha™ technology for up to 12:1 reduction and 8.580 m<sup>3</sup>/h of suction power. The 35 cm intake hose is 300 cm long.



#### Vanguard™ EFI engine

By adding closed-loop EFI, Vanguard™ engines deliver easier starting and fuel savings of up to 25% over carburetted equivalents. Available on DL37 Series debris loaders with 3 year warranty.



**Features**



**Dual Shredding System with Piranha™ Blade**  
 For extra shredding. Serrated blades with cutting points for maximum loading. Debris reduction up to 12:1.



**Safety Kill Switch**  
 Quick connect / release hose clamp with safety interlock.



**Urethane Clear Hose**  
 Clear hose allows for visual inspection and quick removal of hose clogs. Replacement hoses are available.

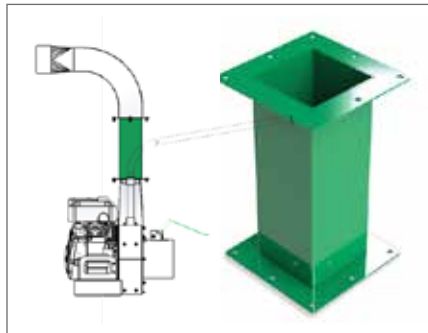


**Intake Hose Storage**  
 Simple secure nozzle hook for convenient and efficient storage.

**CustomFit™ Mounting Options and Accessories**



**Discharge Chute Deflector Kit**  
 Deflects debris for most efficient loading. Also available as an accessory.



**CustomFit™ Extension Kit**  
 Extends discharge height by 40 cm. Cannot be used with rotational kit.



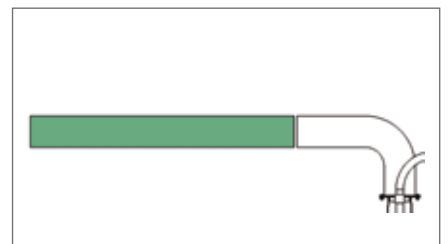
**CustomFit™ Receiver Hitch**  
 Simple to install and remove and easily mounts to your truck for use with DL13 and 18 loaders.



**Adjustable Rotating Discharge Chute**  
 No tool, hand adjustable rotating discharge chute allows 360° positioning.



**CustomFit™ Hanger Kit**  
 Easy to install, locks in place with 2 bolts. Suits DL13, DL 18 loaders (80023101)



**CustomFit™ Discharge Hose Kit**  
 Extends discharge by 150cm on DL13 and 18 loaders for customisation to your truck or trailer. Also available for DL37



USE / LEVEL	MEDIUM		LARGE	
	DL13 Series	DL18 Series		DL37 Series
	DL1301H/DL1302H	DL1801V	DL1801VE/DL1802VE	DL3700V/DL3701V

#### ENGINE

Engine Make	Honda	Briggs & Stratton	Briggs & Stratton	Briggs & Stratton
Engine Model	GX390	Vanguard™	Vanguard™	Vanguard™ EFI
Performance kW [HP]	9,7 [13,0]**	13,4 [18,0]¹	13,4 [18,0]¹	27,6 [37,0]¹
Displacement (cc)	390	570	570	993
Engine Features	Recoil Start	Recoil Start	Electric Start	Electric Start, Electronic Fuel Injection
Fuel Capacity (l)	6.5	8.5	8.5	22

#### LOADER

Productivity (m³/h)	3.575	6.300	6.300	8.580
Hose Dimensions (cm)	20 x 300	25 x 300	25 x 300	35 x 250
Impeller Blades	4	4	4	6
Impeller Diameter (inch [cm])	14.25 [36]	16 [40]	16 [40]	20 [51]
Impeller Housing	Steel 10-gauge, Replaceable Liner	Steel 12-gauge, Replaceable Liner	Steel 12-gauge, Replaceable Liner	Steel 12-gauge, Replaceable Liner
Cutting Points	8	8	8	18
Output Diameter (cm)	18	18	18	20

#### DIMENSIONS / WEIGHT

Weight (kg)	93.9	121.1	121.1	215
Length (cm)	120	152	152	152
Width (cm)	69	82	82	82
Height (cm)	79	190	190	190

#### ACCESSORIES

CustomFit™ Extension Kit Round (812273) Square (813123)	•	•	•	
CustomFit™ Extension Kit Round (791600) Square (792119-S)				•
CustomFit™ Hanger Kit (812260)	•	•	•	
CustomFit™ Swing Away Hitch (80023106)	•	•	•	
CustomFit™ Receiver Hitch (812601)	•	•	•	
CustomFit™ Stake Body Swing Away Hitch (80023107)	•	•	•	
CustomFit™ Discharge Urethane Hose Kit (812300)	•	•	•	
CustomFit™ Discharge Metal Hose Kit (791106)				•
Replacement Hose (811244)	•			
Replacement Hose (791033)		•	•	
Rotational Kit Round (812332) Square (813604)	•	•	•	
8" Hose Coupler (811244)	•			
Rotating discharge chute kit (793600)				•
Optional Discharge Chute Deflector Kit (812295)				•